

**Receiver**
**From**

 Society  
 Reference  
 Address  
 Phone  
 Fax  
 E-mail

**Item n° :**

1D7411000

**Model :**

KDN 125-250/XXX/A/BAQE

**Pump data**

Impeller size	269 mm
Hydraulic curve at rpm:	
Rated speed :	1450 rpm
Coupling :	
MEI ≥	
Pressure rating :	PN 16
Min. fluid temperature :	14 °F
Max. fluid temperature :	284 °F
Max. Ambient temperature :	104 °F

**Requested data**

Flow :	0/00 US g.p.m.
Head :	0/00 m
Fluid (%) :	Water, pure
Fluid Temperature :	68 °F
Density :	62/322 lb/ft³
Kinematic viscosity :	1/0818E-5 ft²/s
Vapor pressure :	2/34 kPa

**Hydraulic data (duty point)**

Flow :	
Head :	
NPSH :	
Shaft power P2 :	
Efficiency :	

**Materials**

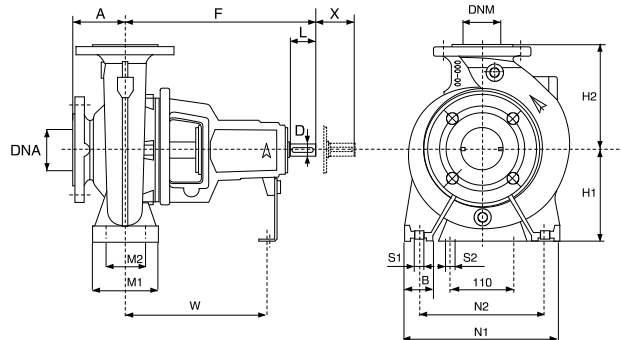
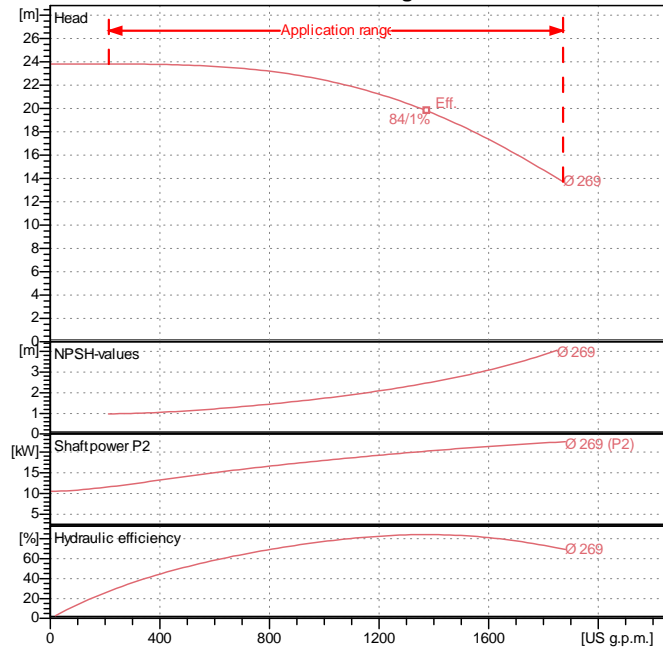
Pump body	Cast iron 250 UNI ISO 185
Impeller	Cast iron 250 UNI ISO 185
Pump shaft	AISI 420 - UNI 6900/71
OR ring	Viton
Seal disk	Cast iron 250 UNI ISO 185
Mechanical seal	SEE "SHAFT SEAL" SECTION
Seal spacer	AISI 304 - UNI 6900/71

**Shaft seal**

Type	Rubber
Stationary part	Carbon
Rotating part	Silicon carbide
Elastomer	EPDM

**Motor data**

Nominal power P2 :	
Rated speed :	
Rated voltage :	
Nominal current :	
Degree of protection :	

**Curve tolerance according to ISO 9906**

**Weight :** 133 kg

**Dimensions in mm**

A	140	H2	355	S2	M12
B	80	L	80	W	340
D	32	M1	160	X	140
DNA	150	M2	120		
DNM	125	N1	400		
F	470	N2	315		
H1	250	S1	M16		

**Pump connection**

Suction side :	DN 150 / PN 16
Discharge side :	DN 125 / PN 16