

Receiver
From

 Society
 Reference
 Address
 Phone
 Fax
 E-mail

Item n° :

105100034

Model :

ALM 500 T

Pump data

 Pressure rating : 10 bar (1000 kPa)
 Min. fluid temperature : 5 °F
 Max. fluid temperature : 248 °F
 Max. Ambient temperature : 104 °F

Requested data

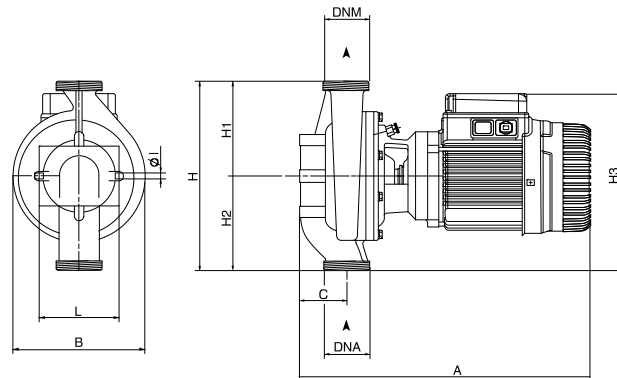
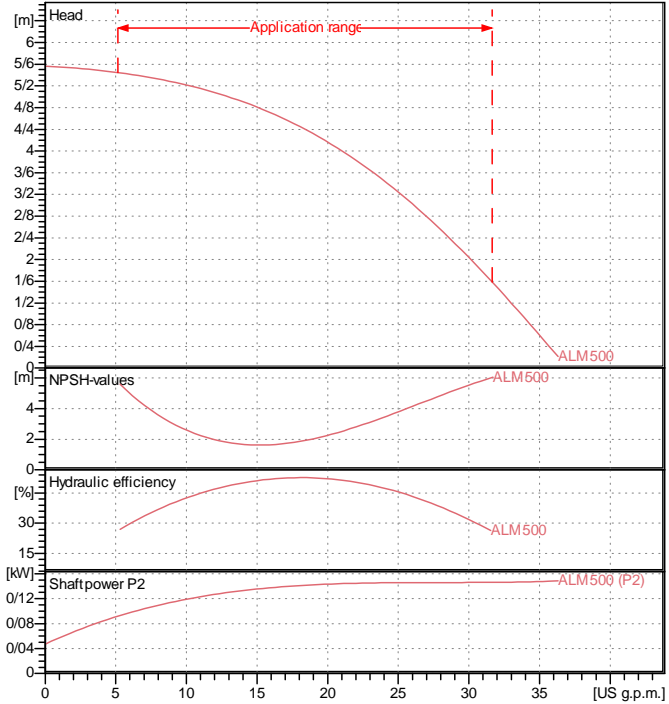
 Flow : 0/00 US g.p.m.
 Head : 0/00 m
 Fluid (%) : Water, pure
 Fluid Temperature : 68 °F
 Density : 62/322 lb/ft³
 Kinematic viscosity : 1/0818E-5 ft²/s
 Vapor pressure : 2/34 kPa

Hydraulic data (duty point)

 Flow :
 Head :
 NPSH :
 Shaft power P2 :
 Efficiency :

Materials

 Pump body : Cast iron 250 UNI ISO 185
 Support : Cast iron 250 UNI ISO 185
 Impeller : Technopolymer
 Mechanical seal : Carbon/Ceramic
 OR ring : EPDM Rubber
 Shaft with rotor : AISI 303 X10 CrNiS 1809 UNI 6900/71

Curve tolerance according to ISO 9906

Weight : 14/5 kg

Motor data

 Motor brand : DAB
 Nominal power P2 : 0/25 kW
 Rated speed : 1465 rpm
 Rated voltage : 3~ 230 V / 400 V 50 Hz
 Nominal current : 1 / 0/6 A
 Degree of protection : IP 55

Dimensions in mm

? I	8	H1	125
A	386	H2	125
B	174	H3	235
C	63	L	95
DNA	2" G		
DNM	2" G		
H	250		

Pump connection

 Suction side : 2" G-M / 10 bar (1000 kPa)
 Discharge side : 2" G-M / 10 bar (1000 kPa)