

Receiver
From

 Society
 Reference
 Address
 Phone
 Fax
 E-mail

Item n° :

1D5411G9X

Model :

CM-G 80-2410/A/BAQE/5,5 IE3

Pump data

 MEI \geq 0,40

Pressure rating : PN 16

Min. fluid temperature : 14 °F

Max. fluid temperature : 284 °F

Max. Ambient temperature : 104 °F

Requested data

Flow : 0/00 US g.p.m.

Head : 0/00 m

Fluid (%) : Water, pure

Fluid Temperature : 68 °F

 Density : 62/322 lb/ft³

 Kinematic viscosity : 1/0818E-5 ft²/s

Vapor pressure : 2/34 kPa

Real duty point

Flow :

Head :

NPSH :

Shaft power P2 :

Efficiency :

Materials

Pump body Cast iron 250 UNI ISO 185

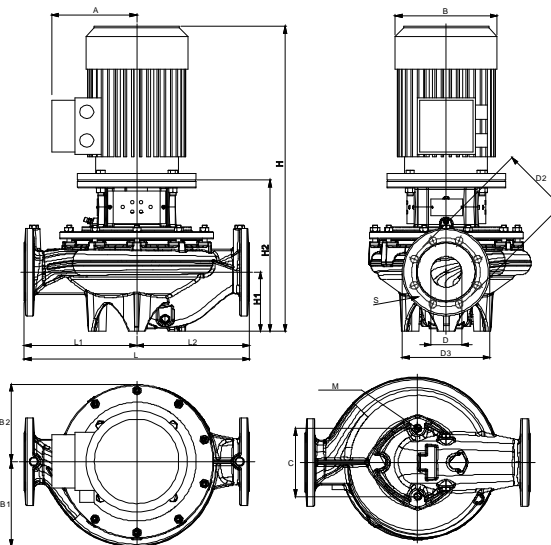
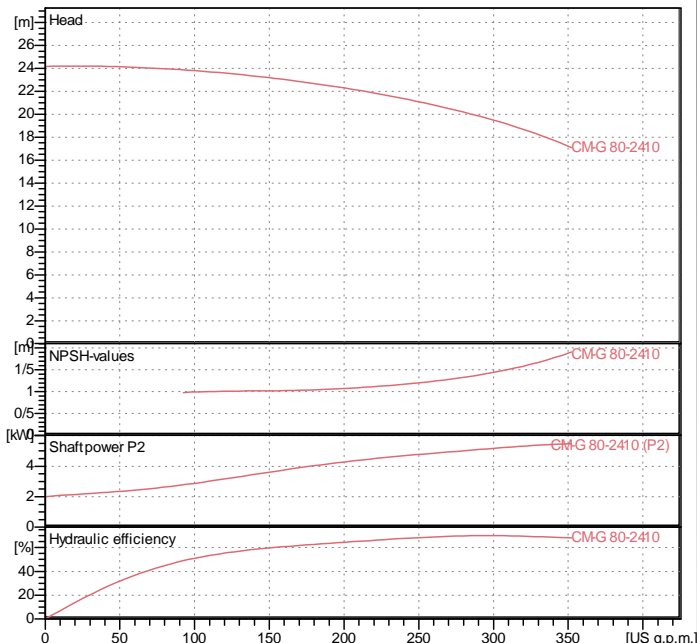
Support Cast iron 250 UNI ISO 185

Impeller Cast iron 250 UNI ISO 185

Mechanical seal SEE "SHAFT SEAL" SECTION

OR ring EPDM Rubber

Shaft with rotor AISI 304 X5 Cr Ni 1810 UNI 6900/71

Curve tolerance according to ISO 9906

Shaft seal

 Type Rubber
 Stationary part Carbon
 Rotating part Silicon carbide
 Elastomer EPDM

Weight : 198 kg

Dimensions in mm

Dimension	Value	Dimension	Value	Dimension	Value
A	210	H	803	S	8 x ?18
B1	245	H1	140		
B2	224	H2	413		
C	230	L	620		
D	80	L1	310		
D2	160	L2	310		
D3	200	M	M16		

Motor data

 Nominal power P2 : 5/5 kW
 Rated speed : 1464 rpm
 Rated voltage : 3~ 400 V 50 Hz
 Nominal current : 10/6 A
 Degree of protection : IP 55

Pump connection

 Suction side : DN 80 / PN 16
 Discharge side : DN 80 / PN 16