

**Receiver**
**From**

 Society  
 Reference  
 Address  
 Phone  
 Fax  
 E-mail

**Item n° :**

1D4311G4W

**Model :**

CM-G 65-1080/A/BAQE/1,1 IE3

**Pump data**

 MEI  $\geq$  0,60

Pressure rating : PN 16

Min. fluid temperature : 14 °F

Max. fluid temperature : 284 °F

Max. Ambient temperature : 104 °F

**Requested data**

Flow : 0/00 US g.p.m.

Head : 0/00 m

Fluid (%) : Water, pure

Fluid Temperature : 68 °F

 Density : 62/322 lb/ft<sup>3</sup>

 Kinematic viscosity : 1/0818E-5 ft<sup>2</sup>/s

Vapor pressure : 2/34 kPa

**Real duty point**

Flow :

Head :

NPSH :

Shaft power P2 :

Efficiency :

**Materials**

Pump body Cast iron 250 UNI ISO 185

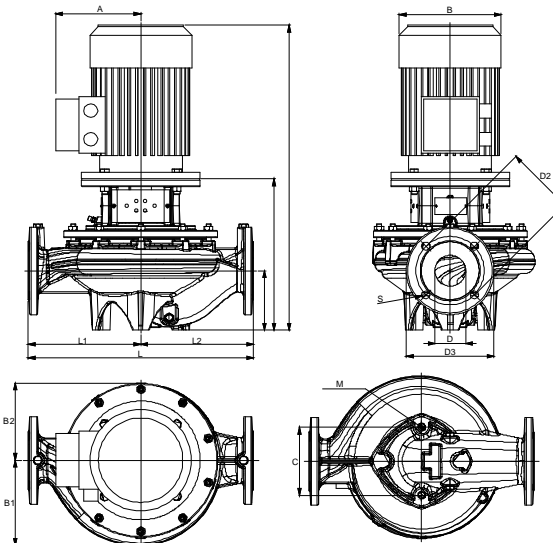
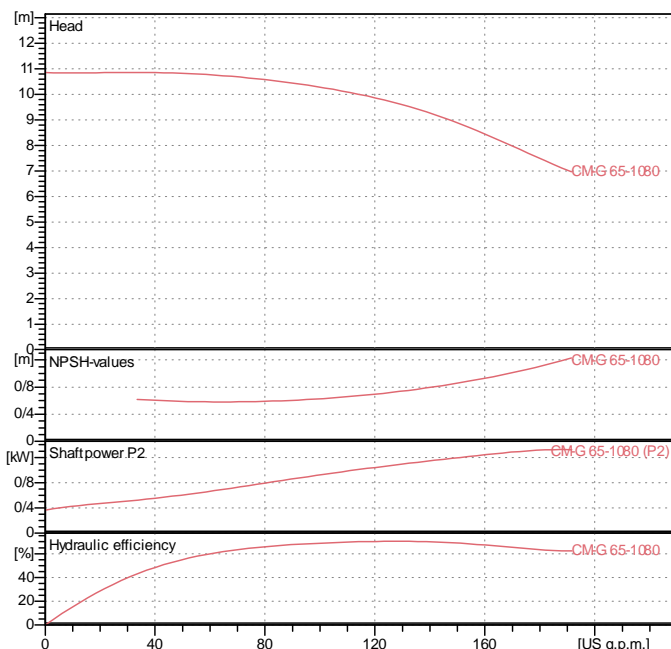
Support Cast iron 250 UNI ISO 185

Impeller Cast iron 250 UNI ISO 185

Mechanical seal SEE "SHAFT SEAL" SECTION

OR ring EPDM Rubber

Shaft with rotor AISI 304 X5 Cr Ni 1810 UNI 6900/71

**Curve tolerance according to ISO 9906**

**Shaft seal**

Type Rubber

Stationary part Carbon

Rotating part Silicon carbide

Elastomer EPDM

**Motor data**

Nominal power P2 : 1/1 kW

Rated speed : 1435 rpm

Rated voltage : 3~ 230 V / 400 V 50 Hz

Nominal current : 4/68 / 2/7 A

Degree of protection : IP 55

**Weight :** 87 kg

**Dimensions in mm**

Dimension	Value	Dimension	Value	Dimension	Value
A	160	H	586	S	4 x ?18
B1	180	H1	125		
B2	164	H2	291		
C	144	L	475		
D	65	L1	237/5		
D2	145	L2	237/5		
D3	185	M	M16		

**Pump connection**

Suction side : DN 65 / PN 16

Discharge side : DN 65 / PN 16