

Receiver
From

 Society
 Reference
 Address
 Phone
 Fax
 E-mail

Item n° :

1D6311G8X

Model :

CM-G 100-1320/A/BAQE/4 IE3

Pump data

 MEI \geq 0,60

 Pressure rating : PN 16
 Min. fluid temperature : 14 °F
 Max. fluid temperature : 284 °F
 Max. Ambient temperature : 104 °F

Requested data

 Flow : 0/00 US g.p.m.
 Head : 0/00 m
 Fluid (%) : Water, pure
 Fluid Temperature : 68 °F
 Density : 62/322 lb/ft³
 Kinematic viscosity : 1/0818E-5 ft²/s
 Vapor pressure : 2/34 kPa

Real duty point

 Flow :
 Head :
 NPSH :
 Shaft power P2 :
 Efficiency :

Materials

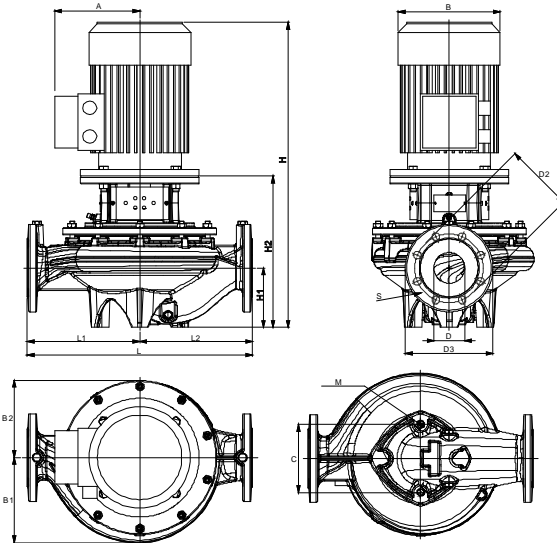
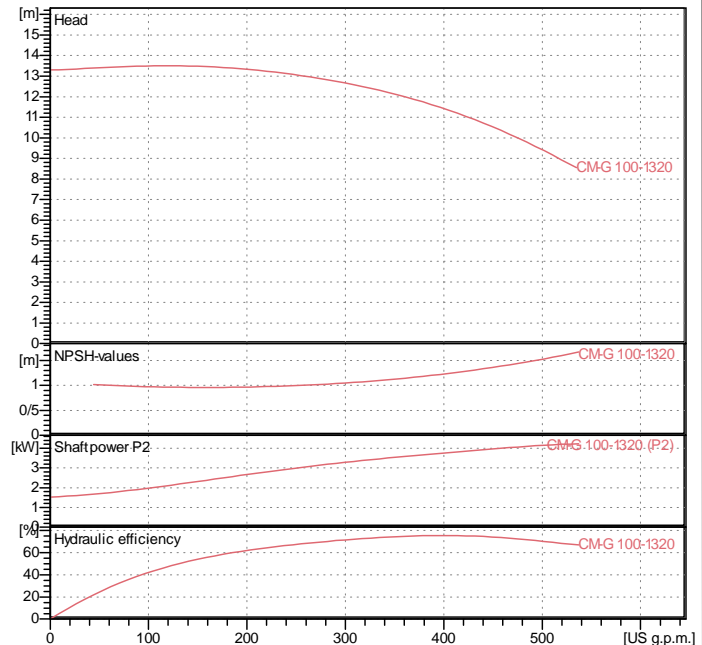
 Pump body : Cast iron 250 UNI ISO 185
 Support : Cast iron 250 UNI ISO 185
 Impeller : Cast iron 250 UNI ISO 185
 Mechanical seal : SEE "SHAFT SEAL" SECTION
 OR ring : EPDM Rubber
 Shaft with rotor : AISI 304 X5 Cr Ni 1810 UNI 6900/71

Shaft seal

 Type : Rubber
 Stationary part : Carbon
 Rotating part : Silicon carbide
 Elastomer : EPDM

Motor data

 Nominal power P2 : 4 kW
 Rated speed : 1449 rpm
 Rated voltage : 3~ 400 V 50 Hz
 Nominal current : 7/95 A
 Degree of protection : IP 55

Curve tolerance according to ISO 9906

Weight : 156 kg

Dimensions in mm

| Dimension | Value | Dimension | Value | Dimension | Value |
|-----------|-------|-----------|-------|-----------|---------|
| A | 190 | H | 811 | S | 8 x ?18 |
| B1 | 204 | H1 | 140 | | |
| B2 | 174 | H2 | 341 | | |
| C | 230 | L | 550 | | |
| D | 100 | L1 | 275 | | |
| D2 | 180 | L2 | 275 | | |
| D3 | 220 | M | M16 | | |

Pump connection

 Suction side : DN 100 / PN 16
 Discharge side : DN 100 / PN 16