

Receiver
From

 Society
 Reference
 Address
 Phone
 Fax
 E-mail

Item n° :

102640020

Model :

JETINOX 82 M

Pump data

 Pressure rating : 8 bar (800 kPa)
 Min. fluid temperature : 32 °F
 Max. fluid temperature : 95 °F
 Max. Ambient temperature : 104 °F

Priming capacity :

H	m	2	3	4	5	6	7	8	9
Q	US g.p.m.	12/5	12/2	10/8	10	8/45	7/66	5/81	4/49

Requested data

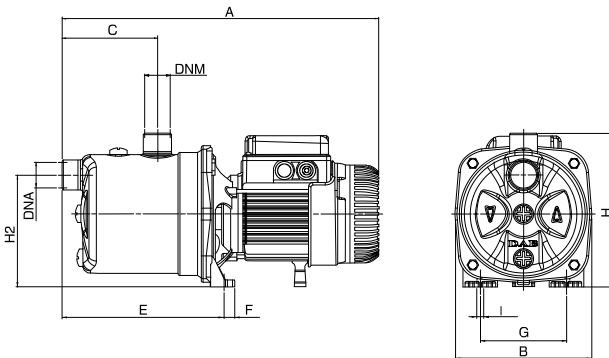
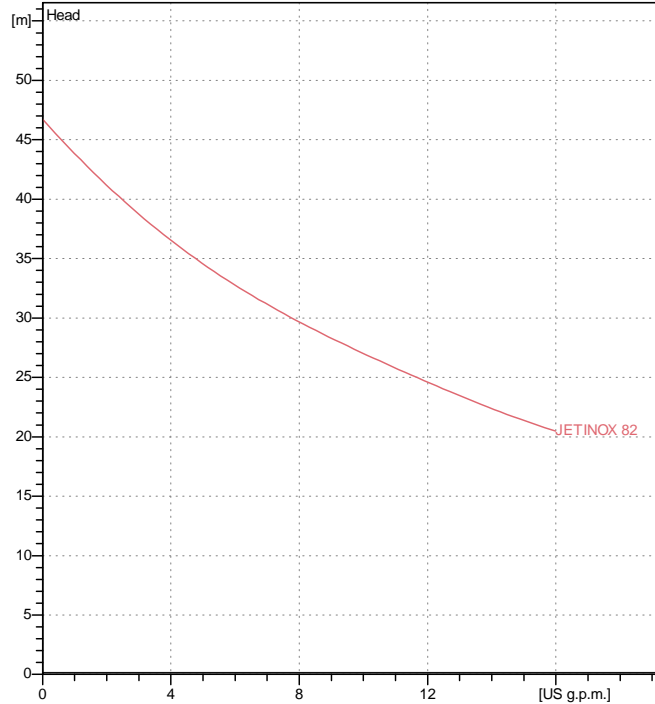
 Flow : 0/00 US g.p.m.
 Head : 0/00 m
 Fluid : Water, pure
 Fluid Temperature : 68 °F
 Density : 62/322 lb/ft³
 Kinematic viscosity : 1/0818E-5 ft²/s
 Vapor pressure : 2/34 kPa

Hydraulic data (duty point)

 Flow :
 Head :

Materials

Pump body	AISI 304 X5 Cr Ni 1810 UNI 6900/71
Disc seal	AISI 304 X5 Cr Ni 1810 UNI 6900/71
Impeller	Technopoly mer A
Mechanical seal	Carbon/Ceramic
OR ring	NBR Rubber
Shaft with rotor	AISI 416 X12 CrS 13 UNI 6900/71
Nozzle venturi dif fuser assembly	Technopoly mer A

Curve tolerance according to ISO 9906

Motor data

 Motor brand : DAB
 Nominal power P2 : 0/6 kW
 Rated speed : 2750 rpm
 Rated voltage : 1~ 220-240 V 50 Hz
 Nominal current : 3/8 A
 Degree of protection : IP 44

Dimensions in
mm

A	406	DNM	1"G	H	197		
B	174	E	207	H2	144		
C	122	F	14	I ?	9		
DNA	1"G	G	111				

Weight : 8/25 kg

Pump connection

 Suction side : 1 " G / 8 bar (800 kPa)
 Discharge side : 1 " G / 8 bar (800 kPa)