

**Receiver**
**From**

 Society  
 Reference  
 Address  
 Phone  
 Fax  
 E-mail

**Item n° :**

102670020

**Model :**

JETCOM82 M

**Pump data**

 Pressure rating : 6 bar (600 kPa)  
 Min. fluid temperature : 32 °F  
 Max. fluid temperature : 95 °F  
 Max. Ambient temperature : 104 °F

**Priming capacity :**

|   |           |      |      |      |    |      |      |      |      |
|---|-----------|------|------|------|----|------|------|------|------|
| H | m         | 2    | 3    | 4    | 5  | 6    | 7    | 8    | 9    |
| Q | US g.p.m. | 18/5 | 12/2 | 10/8 | 10 | 8/45 | 7/66 | 5/81 | 4/49 |

**Requested data**

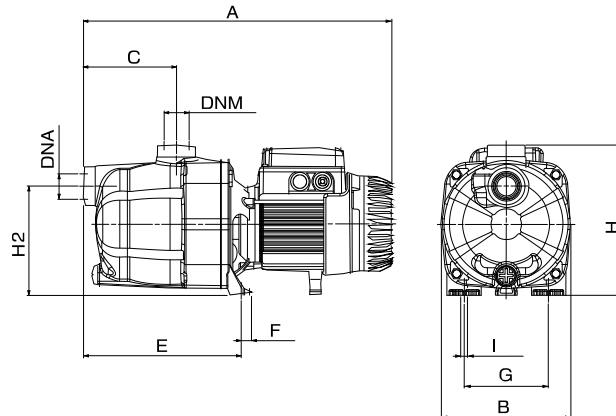
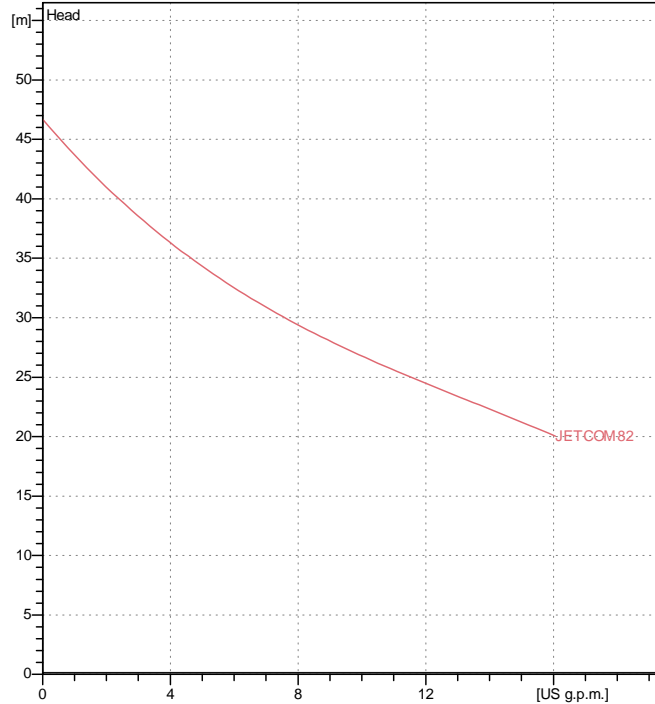
 Flow : 0/00 US g.p.m.  
 Head : 0/00 m  
 Fluid : Water, pure  
 Fluid Temperature : 68 °F  
 Density : 62/322 lb/ft³  
 Kinematic viscosity : 1/0818E-5 ft²/s  
 Vapor pressure : 2/34 kPa

**Hydraulic data (duty point)**

 Flow :  
 Head :

**Materials**

 Pump body Technopoly mer A  
 Disc seal AISI 304 X5 Cr Ni 1810 UNI 6900/71  
 Impeller Technopoly mer A  
 Mechanical seal Carbon/Ceramic  
 OR ring NBR Rubber  
 Shaft with rotor AISI 416 X12 CrS 13 UNI 6900/71  
 Nozzle venturi dif fuser assembly Technopoly mer A

**Curve tolerance according to ISO 9906**

**Motor data**

 Motor brand : DAB  
 Nominal power P2 : 0/6 kW  
 Rated speed : 2750 rpm  
 Rated voltage : 1~ 220-240 V 50 Hz  
 Nominal current : 3/8 A  
 Degree of protection : IP 44

**Dimensions in**
**mm**

|     |      |     |      |     |     |  |  |
|-----|------|-----|------|-----|-----|--|--|
| A   | 406  | DNM | 1" G | H   | 198 |  |  |
| B   | 170  | E   | 208  | H2  | 144 |  |  |
| C   | 122  | F   | 14   | I ? | 9   |  |  |
| DNA | 1" G | G   | 111  |     |     |  |  |

**Weight :** 7/7 kg

**Pump connection**

 Suction side : 1 " G / 6 bar (600 kPa)  
 Discharge side : 1 " G / 6 bar (600 kPa)