

**Receiver**
**From**

 Society  
 Reference  
 Address  
 Phone  
 Fax  
 E-mail

**Item n° :**

60179396

**Model :**

JETCOM 102 T IE3

**Pump data**

 Pressure rating : 6 bar (600 kPa)  
 Min. fluid temperature : 32 °F  
 Max. fluid temperature : 95 °F  
 Max. Ambient temperature : 104 °F

**Priming capacity :**

H	m	2	3	4	5	6	7	8	9
Q	US g.p.m.	12/5	12/4	10/8	10	8/98	7/4	6/08	4/76

**Requested data**

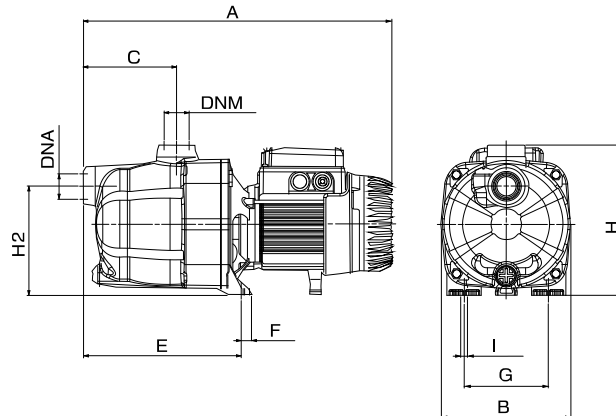
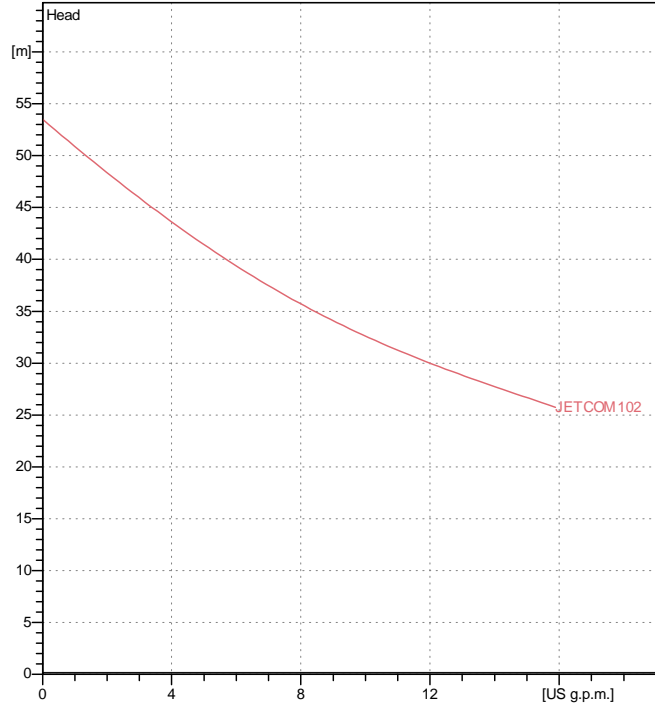
 Flow : 0/00 US g.p.m.  
 Head : 0/00 m  
 Fluid : Water, pure  
 Fluid Temperature : 68 °F  
 Density : 62/322 lb/ft³  
 Kinematic viscosity : 1/0818E-5 ft²/s  
 Vapor pressure : 2/34 kPa

**Hydraulic data (duty point)**

 Flow :  
 Head :

**Materials**

 Pump body Technopoly mer A  
 Disc seal AISI 304 X5 Cr Ni 1810 UNI 6900/71  
 Impeller Technopoly mer A  
 Mechanical seal Carbon/Ceramic  
 OR ring NBR Rubber  
 Shaft with rotor AISI 416 X12 CrS 13 UNI 6900/71  
 Nozzle venturi dif fuser assembly Technopoly mer A

**Curve tolerance according to ISO 9906**

**Motor data**

 Motor brand : DAB  
 Nominal power P2 : 0/75 kW  
 Rated speed : 2800 rpm  
 Rated voltage : 3~ 230 V / 400 V 50 Hz  
 Nominal current : 3/3 / 1/9 A  
 Degree of protection : IP 44

**Dimensions in**
**mm**

A	441	DNM	1" G	H	203		
B	170	E	208	H2	144		
C	122	F	14	I ?	9		
DNA	1" G	G	111				

**Weight :** 9/5 kg

**Pump connection**

 Suction side : 1 " G / 6 bar (600 kPa)  
 Discharge side : 1 " G / 6 bar (600 kPa)