

Receiver
From

 Society
 Reference
 Address
 Phone
 Fax
 E-mail

Item n° :

102972240

Model :

EUROINOX 40/30 M-P

Pump data

 Pressure rating : 8 bar (800 kPa)
 Min. fluid temperature : 32 °F
 Max. fluid temperature : 95 °F
 Max. Ambient temperature : 104 °F

Requested data

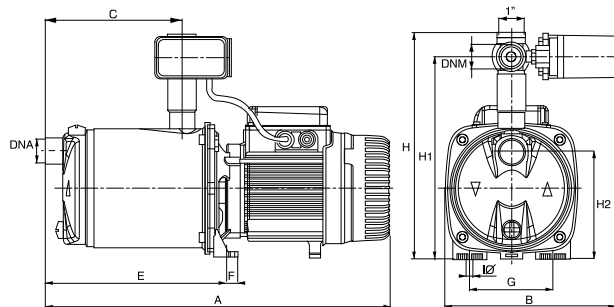
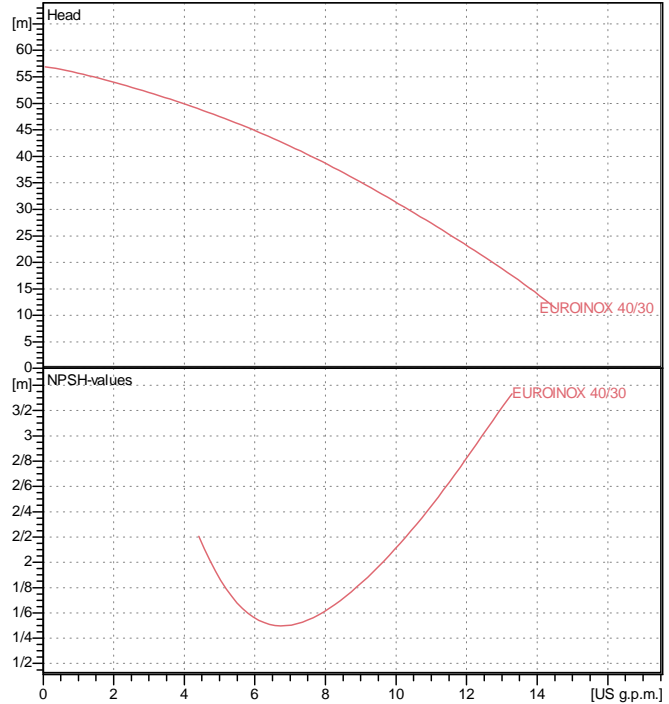
 Flow : 0/00 US g.p.m.
 Head : 0/00 m
 Fluid : Water, pure
 Fluid Temperature : 68 °F
 Density : 62/322 lb/ft³
 Kinematic viscosity : 1/0818E-5 ft²/s
 Vapor pressure : 2/34 kPa

Hydraulic data (duty point)

 Flow :
 Head :

Materials

 Pump body : AISI 304 X5 Cr Ni 1810 UNI 6900/71
 Impeller : Technopolymer
 Shaft with rotor : AISI 304 X5 Cr Ni 1810 UNI 6900/71
 OR ring : NBR
 Diffuser : Technopolymer
 Mechanical seal : Carbon/Ceramic
 Disc seal : AISI 304 X5 Cr Ni 1810 UNI 6900/71

Curve tolerance according to ISO 9906

Motor data

 Motor brand : DAB
 Nominal power P2 : 0/55 kW
 Rated speed : 2800 rpm
 Rated voltage : 1~ 220-240 V 50 Hz
 Nominal current : 3/9 A
 Degree of protection : IP 44

Weight : 13 kg

Dimensions in mm

A	439	DNM	1" NPT	H	300		
B	226	E	241	H1	268		
C	166	F	13/5	H2	143		
DNA	1" NPT	G	111	I?	9		

Pump connection

 Suction side : 1" G / 8 bar (800 kPa)
 Discharge side : 1" G / 8 bar (800 kPa)