

Receiver
From

 Society
 Reference
 Address
 Phone
 Fax
 E-mail

Item n° :

60169120

Model :

EUROPRO 350 T IE3

Pump data

 Pressure rating : 2,5 bar (250 kPa)
 Min. fluid temperature : 32 °F
 Max. fluid temperature : 140 °F
 Max. Ambient temperature : 122 °F

Requested data

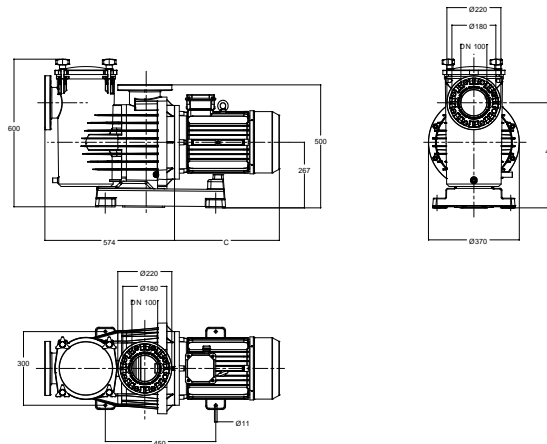
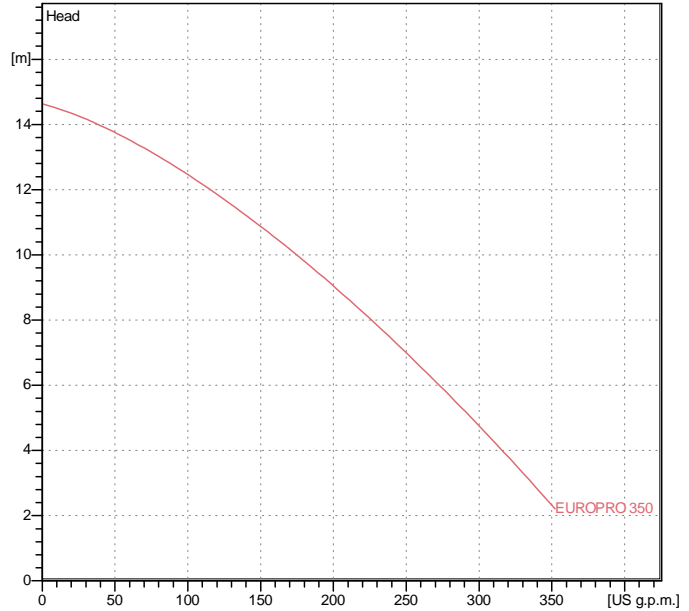
 Flow : 0/00 US g.p.m.
 Head : 0/00 m
 Fluid : Water, pure
 Fluid Temperature : 68 °F
 Density : 62/322 lb/ft³
 Kinematic viscosity : 1/0818E-5 ft²/s
 Vapor pressure : 2/34 kPa

Hydraulic data (duty point)

 Flow :
 Head :

Materials

 Pre-filter body : Polypropylene with reinforced fiberglass
 Impeller : Noryl
 Pump body : Polypropylene with reinforced fiberglass
 Pre-filter basket : Polyethylene (PE)
 Mechanical seal : Carbon ceramic and AISI 316
 Pre-filter cover : Polycarbonate
 Pump body cover : Polypropylene with reinforced fiberglass

Curve tolerance according to ISO 9906

Weight : 42/5 kg

Motor data

 Motor brand : DAB
 Nominal power P2 : 2/2 kW
 Rated speed : 1450 rpm
 Rated voltage : 3~ 230 V / 400 V 50 Hz
 Nominal current : 9/4 / 5/3 A
 Degree of protection : IP 55

Dimensions in mm

C 310

Pump connection

 Suction side : 110 mm / 2,5 bar (250 kPa)
 Discharge side : 110 mm / 2,5 bar (250 kPa)