

**Receiver**
**From**

 Society  
 Reference  
 Address  
 Phone  
 Fax  
 E-mail

**Item n° :**

60169139

**Model :**

EUROPRO 1000 T IE3

**Pump data**

 Pressure rating : 2,5 bar (250 kPa)  
 Min. fluid temperature : 32 °F  
 Max. fluid temperature : 140 °F  
 Max. Ambient temperature : 122 °F

**Requested data**

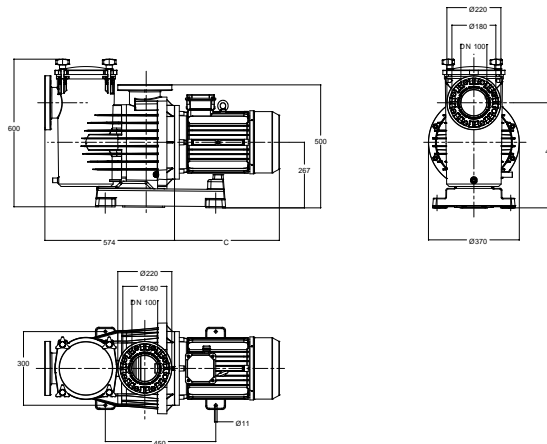
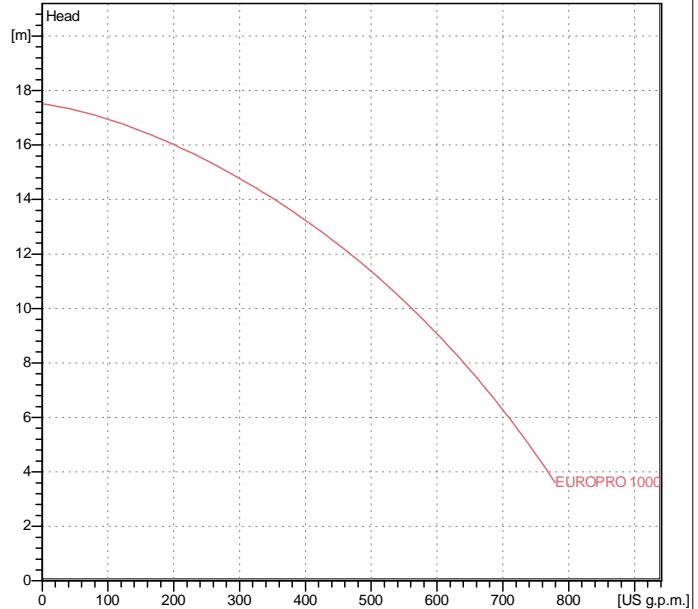
 Flow : 0/00 US g.p.m.  
 Head : 0/00 m  
 Fluid : Water, pure  
 Fluid Temperature : 68 °F  
 Density : 62/322 lb/ft³  
 Kinematic viscosity : 1/0818E-5 ft²/s  
 Vapor pressure : 2/34 kPa

**Hydraulic data (duty point)**

 Flow :  
 Head :

**Materials**

 Pre-filter body : Polypropylene with reinforced fiberglass  
 Impeller : Noryl  
 Pump body : Polypropylene with reinforced fiberglass  
 Pre-filter basket : Polyethylene (PE)  
 Mechanical seal : Carbon ceramic and AISI 316  
 Pre-filter cover : Polycarbonate  
 Pump body cover : Polypropylene with reinforced fiberglass

**Curve tolerance according to ISO 9906**

**Weight :** 76 kg

**Motor data**

 Motor brand : DAB  
 Nominal power P2 : 7/5 kW  
 Rated speed : 1450 rpm  
 Rated voltage : 3~ 400 V / 690 V 50 Hz  
 Nominal current : 15/8 / 9/2 A  
 Degree of protection : IP 55

**Dimensions in mm**
**C**

380

**Pump connection**

 Suction side : 110 mm / 2,5 bar (250 kPa)  
 Discharge side : 110 mm / 2,5 bar (250 kPa)