

Receiver
From

 Society
 Reference
 Address
 Phone
 Fax
 E-mail

Item n° :

102660000

Model :

JET 62 M

Pump data

 Pressure rating : 6 bar (600 kPa)
 Min. fluid temperature : 32 °F
 Max. fluid temperature : 95 °F
 Max. Ambient temperature : 104 °F

Priming capacity :

H	m	2	3	4	5	6	7	8	9
Q	US g.p.m.	10/8	10	8/98	8/19	7/13	5/81	5/02	3/43

Requested data

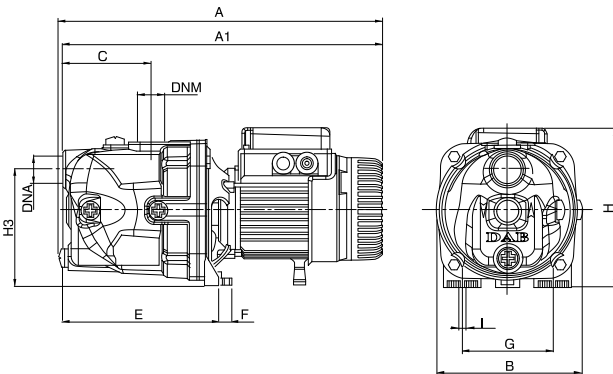
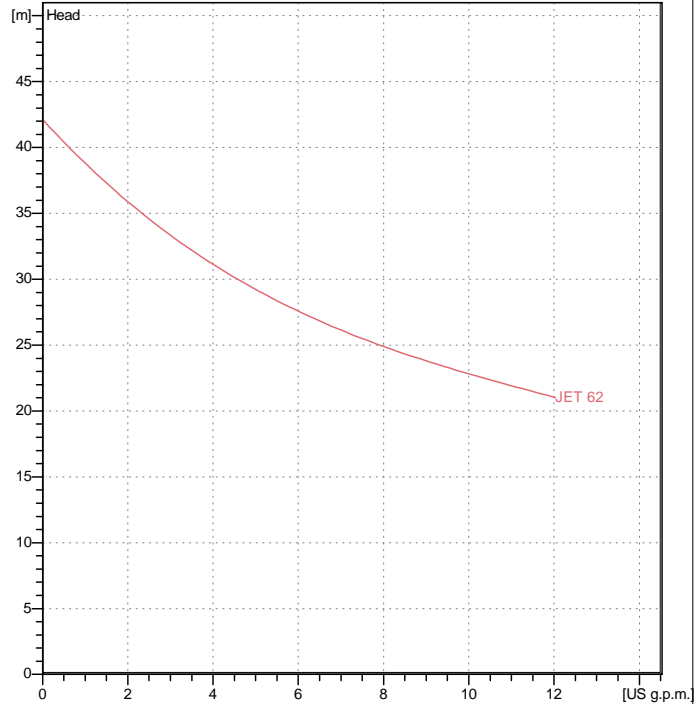
 Flow : 0/00 US g.p.m.
 Head : 0/00 m
 Fluid : Water, pure
 Fluid Temperature : 68 °F
 Density : 62/322 lb/ft³
 Kinematic viscosity : 1/0818E-5 ft²/s
 Vapor pressure : 2/34 kPa

Hydraulic data (duty point)

 Flow :
 Head :

Materials

 Pump body : Cast iron 200 UNI ISO 185
 Support : Die cast aluminium
 Impeller : Technopoly mer A
 Mechanical seal : Carbon/Ceramic
 OR ring : NBR Rubber
 Shaft with rotor : AISI 416 X12 CrS 13 UNI 6900/71
 Nozzle venturi dif fuser assembly : Technopoly mer A

Curve tolerance according to ISO 9906

Motor data

 Motor brand : DAB
 Nominal power P2 : 0/44 kW
 Rated speed : 2850 rpm
 Rated voltage : 1~ 220-240 V 50 Hz
 Nominal current : 3/12 A
 Degree of protection : IP 44

Dimensions in
mm

A	395	DNA	1" G	G	111		
A1	390	DNM	1" G	H	193		
B	178	E	192	H3	144		
C	108	F	14	I?	9		

Weight : 10/5 kg

Pump connection

 Suction side : 1 " G / 6 bar (600 kPa)
 Discharge side : 1 " G / 6 bar (600 kPa)