

Receiver
From

 Society
 Reference
 Address
 Phone
 Fax
 E-mail

Item n° :

102162192

Model :

JET 300 M-P

Pump data

 Pressure rating : 8 bar (800 kPa)
 Min. fluid temperature : 32 °F
 Max. fluid temperature : 95 °F
 Max. Ambient temperature : 104 °F

Priming capacity :

| | | | | | | | | |
|---|-----------|------|------|------|------|------|------|------|
| H | m | 2 | 3 | 4 | 5 | 6 | 7 | 8 |
| Q | US g.p.m. | 41/7 | 40/4 | 35/7 | 31/2 | 26/4 | 19/8 | 14/8 |

Requested data

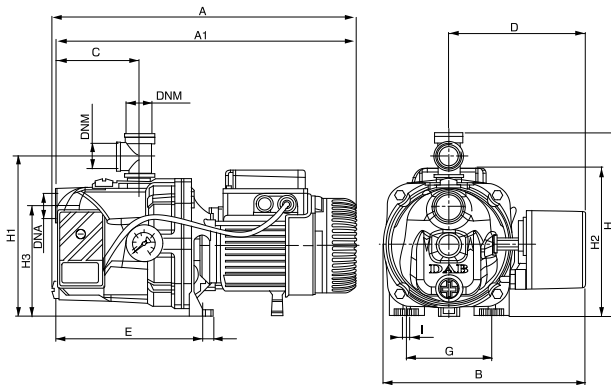
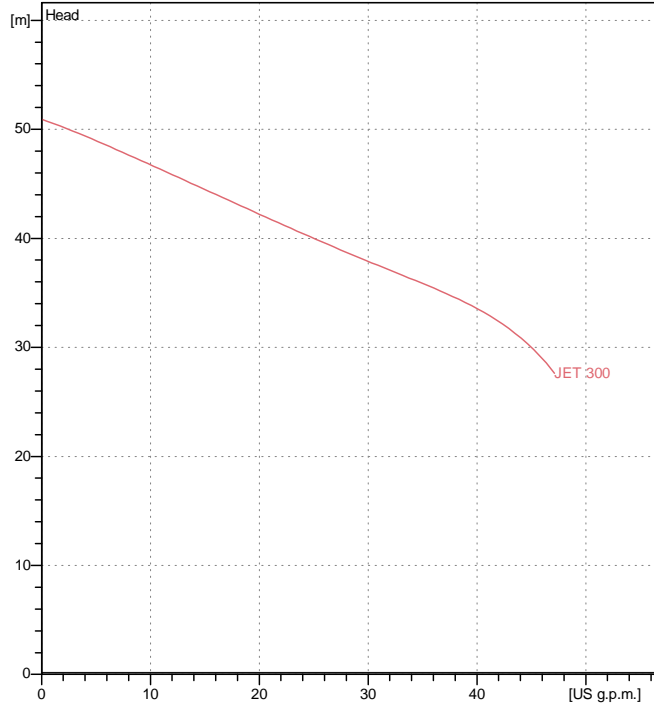
 Flow : 0/00 US g.p.m.
 Head : 0/00 m
 Fluid : Water, pure
 Fluid Temperature : 68 °F
 Density : 62/322 lb/ft³
 Kinematic viscosity : 1/0818E-5 ft²/s
 Vapor pressure : 2/34 kPa

Hydraulic data (duty point)

 Flow :
 Head :

Materials

 Pump body : Cast iron GJL 200 UNI EN 1561
 Support : Cast iron GJL 200 UNI EN 1561
 Impeller : Noryl
 Mechanical seal : Carbon/Ceramic
 OR ring : NBR Rubber
 Shaft with rotor : AISI 303
 Nozzle venturi dif fuser assembly : Noryl

Curve tolerance according to ISO 9906

Motor data

 Motor brand : DAB
 Nominal power P2 : 2/2 kW
 Rated speed : 2850 rpm
 Rated voltage : 1~ 230 V
 Nominal current : 12 A
 Degree of protection : IP 44

50 Hz

Dimensions in
mm

| | | | | | | | |
|----|-----|-----|---------|----|-----|----|----|
| A | 595 | D | - | F | 20 | H2 | - |
| A1 | - | DNA | 1"1/2 G | G | 160 | H3 | - |
| B | 294 | DNM | 1"1/4 G | H | 275 | I | - |
| C | 151 | E | 282 | H1 | 175 | I? | 11 |

Weight : 31/5 kg

Pump connection

 Suction side : 1 " 1/2 G/ 8 bar (800 kPa)
 Discharge side : 1 " 1/4 G/ 8 bar (800 kPa)