

**Receiver**
**From**

 Society  
 Reference  
 Address  
 Phone  
 Fax  
 E-mail

**Item n° :**

60179885

**Model :**

JET 251 T IE3

**Pump data**

 Pressure rating : 8 bar (800 kPa)  
 Min. fluid temperature : 32 °F  
 Max. fluid temperature : 95 °F  
 Max. Ambient temperature : 104 °F

**Priming capacity :**

H	m	2	3	4	5	6	7	8
Q	US g.p.m.	27/7	24/3	21/7	19	16/4	14/5	10/8

**Requested data**

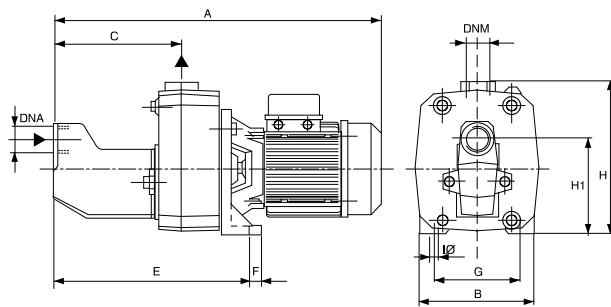
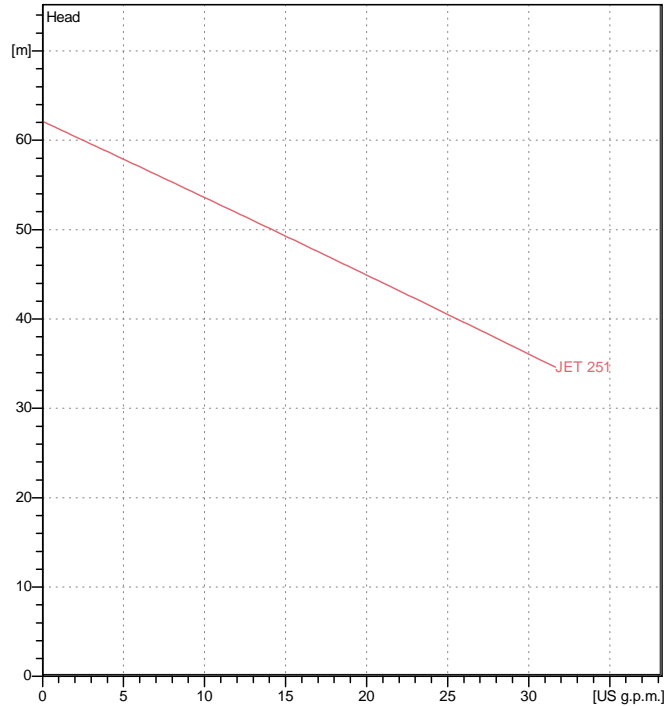
 Flow : 0/00 US g.p.m.  
 Head : 0/00 m  
 Fluid : Water, pure  
 Fluid Temperature : 68 °F  
 Density : 62/322 lb/ft³  
 Kinematic viscosity : 1/0818E-5 ft²/s  
 Vapor pressure : 2/34 kPa

**Hydraulic data (duty point)**

 Flow :  
 Head :

**Materials**

 Pump body : Cast iron GJL 200 UNI EN 1561  
 Support : Cast iron GJL 200 UNI EN 1561  
 Impeller : Noryl  
 Mechanical seal : Carbon/Ceramic  
 OR ring : NBR Rubber  
 Shaft with rotor : AISI 303  
 Nozzle venturi dif fuser assembly : Noryl

**Curve tolerance according to ISO 9906**

**Motor data**

 Motor brand : DAB  
 Nominal power P2 : 1/85 kW  
 Rated speed : 2850 rpm  
 Rated voltage : 3~ 230 V / 400 V 50 Hz  
 Nominal current : 6/9 / 4 A  
 Degree of protection : IP 55

**Dimensions in**
**mm**

A	558	DNM	1" G	H	255		
B	210	E	350	H1	158		
C	221	F	20	I ?	11		
DNA	1"1/4 G	G	145				

**Weight :** 31 kg

**Pump connection**

 Suction side : 1 " 1/4 G/ 8 bar (800 kPa)  
 Discharge side : 1 " G / 8 bar (800 kPa)