

Receiver
From

 Society
 Reference
 Address
 Phone
 Fax
 E-mail

Item n° :

102160092

Model :

JET 251 M

Pump data

 Pressure rating : 8 bar (800 kPa)
 Min. fluid temperature : 32 °F
 Max. fluid temperature : 95 °F
 Max. Ambient temperature : 104 °F

Priming capacity :

H	m	2	3	4	5	6	7	8
Q	US g.p.m.	27/7	24/3	21/7	19	16/4	14/5	10/8

Requested data

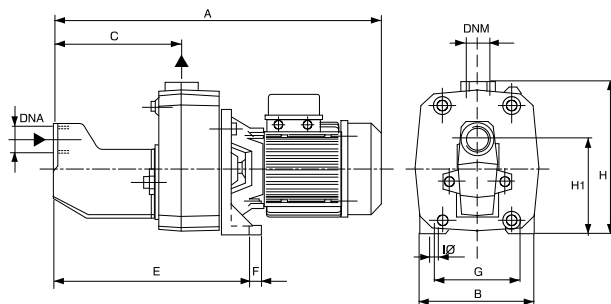
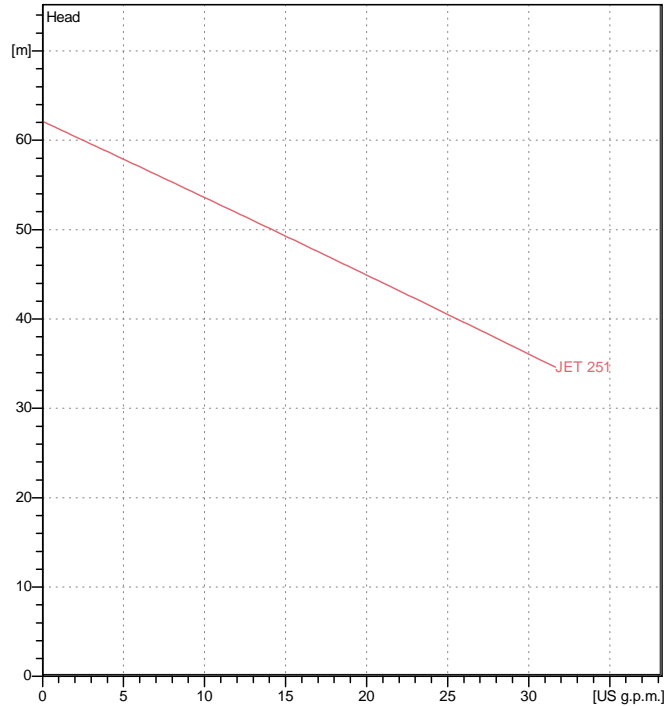
 Flow : 0/00 US g.p.m.
 Head : 0/00 m
 Fluid : Water, pure
 Fluid Temperature : 68 °F
 Density : 62/322 lb/ft³
 Kinematic viscosity : 1/0818E-5 ft²/s
 Vapor pressure : 2/34 kPa

Hydraulic data (duty point)

 Flow :
 Head :

Materials

 Pump body : Cast iron GJL 200 UNI EN 1561
 Support : Cast iron GJL 200 UNI EN 1561
 Impeller : Noryl
 Mechanical seal : Carbon/Ceramic
 OR ring : NBR Rubber
 Shaft with rotor : AISI 303
 Nozzle venturi dif fuser assembly : Noryl

Curve tolerance according to ISO 9906

Motor data

 Motor brand : DAB
 Nominal power P2 : 1/85 kW
 Rated speed : 2800 rpm
 Rated voltage : 1~ 220-240 V 50 Hz
 Nominal current : 10 A
 Degree of protection : IP 44

Dimensions in
mm

A	632	DNM	1" G	H	255		
B	210	E	350	H1	158		
C	221	F	20	I ?	11		
DNA	1"1/4 G	G	145				

Weight : 35 kg

Pump connection

 Suction side : 1 " 1/4 G/ 8 bar (800 kPa)
 Discharge side : 1 " G / 8 bar (800 kPa)