

Receiver
From

 Society
 Reference
 Address
 Phone
 Fax
 E-mail

Item n° :

60179902

Model :

KLM 80/600 T IE3

Pump data

 MEI \geq 0,40

Pressure rating : PN6 (4 slotted holes), PN10 (4 holes)

Min. fluid temperature : 5 °F

Max. fluid temperature : 248 °F

Max. Ambient temperature : 104 °F

Requested data

Flow : 0/00 US g.p.m.

Head : 0/00 m

Fluid (%) : Water, pure

Fluid Temperature : 68 °F

 Density : 62/322 lb/ft³

 Kinematic viscosity : 1/0818E-5 ft²/s

Vapor pressure : 2/34 kPa

Hydraulic data (duty point)

Flow :

Head :

NPSH :

Shaft power P2 :

Efficiency :

Materials

Pump body : Cast iron 250 UNI ISO 185

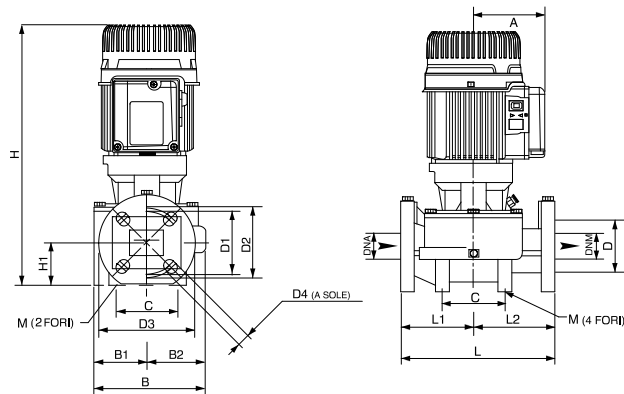
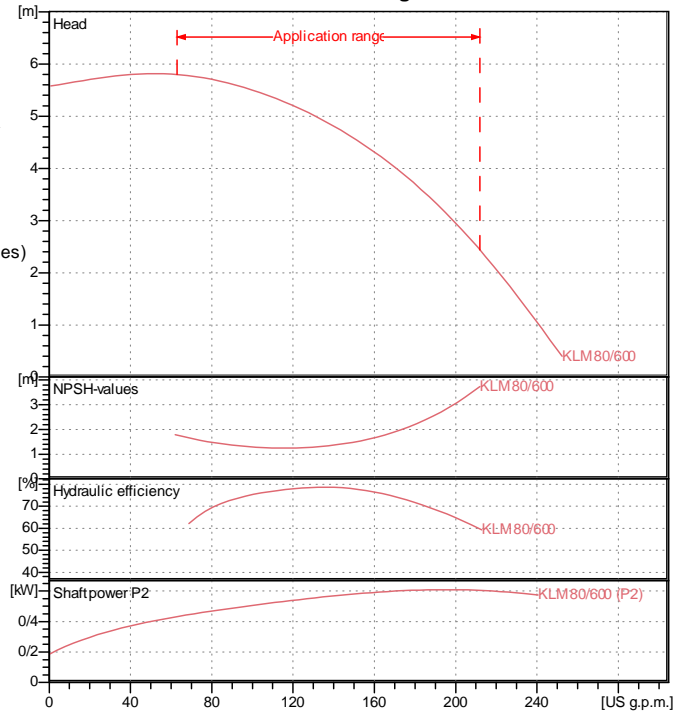
Support : Cast iron 250 UNI ISO 185

Impeller : Technopolymer B

Mechanical seal : Carbon/Ceramic

OR ring : EPDM Rubber

Shaft with rotor : AISI 303 X10 CrNiS 1809 UNI 6900/71

Curve tolerance according to ISO 9906

Weight : 36/7 kg

Dimensions in mm

A	115	D3	200	L2	170
B	228	D4	4 asole 18x23	M	2 fori 10
B1	99	DNA	80		
B2	130	DNM	80		
D	128	H1	97		
D1	150	L	360		
D2	160	L1	190		

Pump connection

Suction side : DN 80 / PN6 (4 slotted holes), PN10 (4 holes)

Discharge side : DN 80 / PN6 (4 slotted holes), PN10 (4 holes)

Motor data

Motor brand : DAB

Nominal power P2 : 0/75 kW

Rated speed : 1440 rpm

Rated voltage : 3~ 230 V / 400 V 50 Hz

Nominal current : 2/8 / 1/6 A

Degree of protection : IP 55