

**Receiver**
**From**

 Society  
 Reference  
 Address  
 Phone  
 Fax  
 E-mail

**Item n° :**

105110114

Model :

KLM 65/600 T

**Pump data**

 MEI  $\geq$  0,40

Pressure rating : PN6 (4 slotted holes), PN10 (4 holes)

Min. fluid temperature : 5 °F

Max. fluid temperature : 248 °F

Max. Ambient temperature : 104 °F

**Requested data**

Flow : 0/00 US g.p.m.

Head : 0/00 m

Fluid (%) : Water, pure

Fluid Temperature : 68 °F

 Density : 62/322 lb/ft<sup>3</sup>

 Kinematic viscosity : 1/0818E-5 ft<sup>2</sup>/s

Vapor pressure : 2/34 kPa

**Hydraulic data (duty point)**

Flow :

Head :

NPSH :

Shaft power P2 :

Efficiency :

**Materials**

Pump body : Cast iron 250 UNI ISO 185

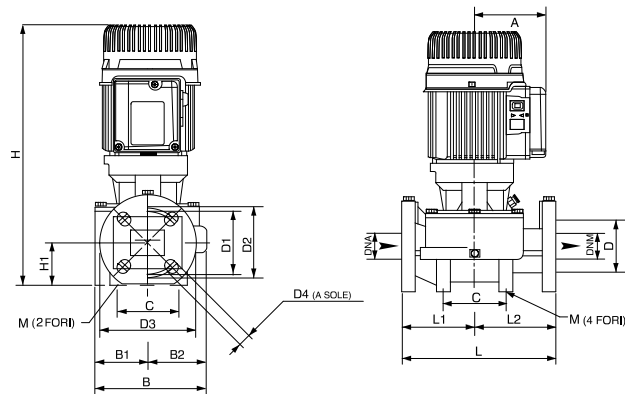
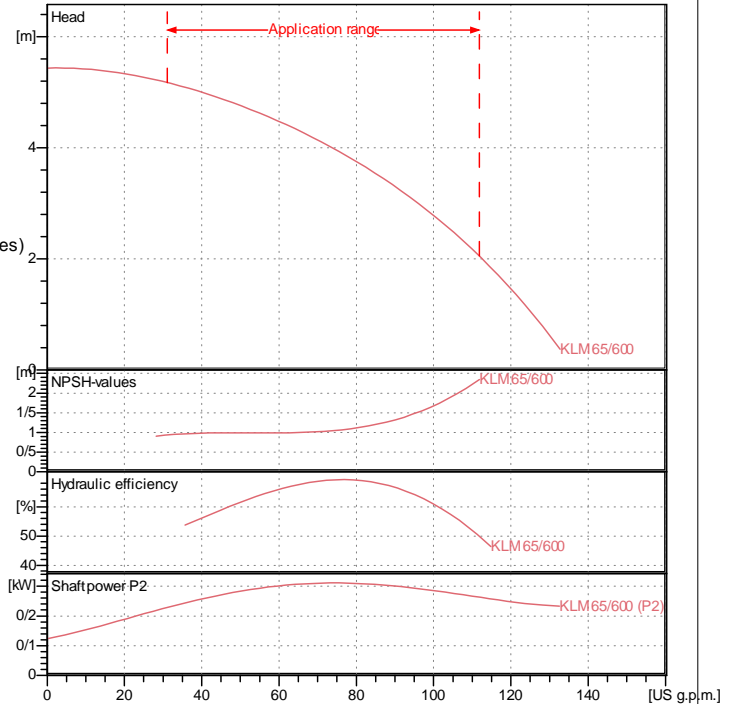
Support : Cast iron 250 UNI ISO 185

Impeller : Technopolymer B

Mechanical seal : Carbon/Ceramic

OR ring : EPDM Rubber

Shaft with rotor : AISI 303 X10 CrNiS 1809 UNI 6900/71

**Curve tolerance according to ISO 9906**

**Weight :** 29/5 kg

**Dimensions in mm**

A	110	D3	185	L1	170
B	228	D4	4 asole 18x23	L2	170
B1	99	DNA	65	M	2 fori 12
B2	129	DNM	65		
D	110	H	433		
D1	130	H1	82		
D2	145	L	340		

**Pump connection**

Suction side : DN 65 / PN6 (4 slotted holes), PN10 (4 holes)

Discharge side : DN 65 / PN6 (4 slotted holes), PN10 (4 holes)

**Motor data**

Motor brand : DAB

Nominal power P2 : 0/37 kW

Rated speed : 1400 rpm

Rated voltage : 3~ 230 V / 400 V 50 Hz

Nominal current : 1/2 / 0/7 A

Degree of protection : IP 55