

Receiver
From

 Society
 Reference
 Address
 Phone
 Fax
 E-mail

Item n° :

60179384

Model :

KLP 50/900 T IE3

Pump data

 MEI \geq 0,40

Pressure rating : PN6 (4 slotted holes), PN10 (4 holes)

Min. fluid temperature : 5 °F

Max. fluid temperature : 248 °F

Max. Ambient temperature : 104 °F

Requested data

Flow : 0/00 US g.p.m.

Head : 0/00 m

Fluid (%) : Water, pure

Fluid Temperature : 68 °F

 Density : 62/322 lb/ft³

 Kinematic viscosity : 1/0818E-5 ft²/s

Vapor pressure : 2/34 kPa

Hydraulic data (duty point)

Flow :

Head :

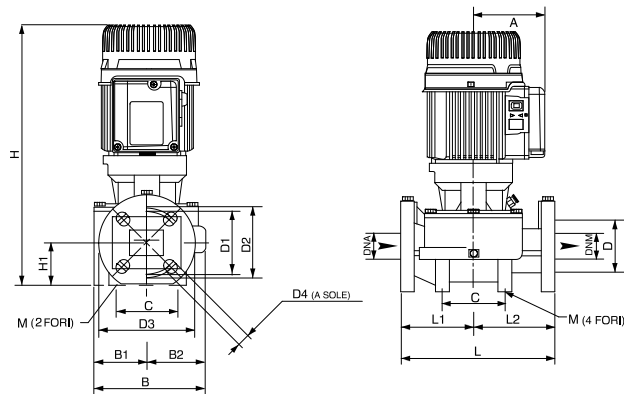
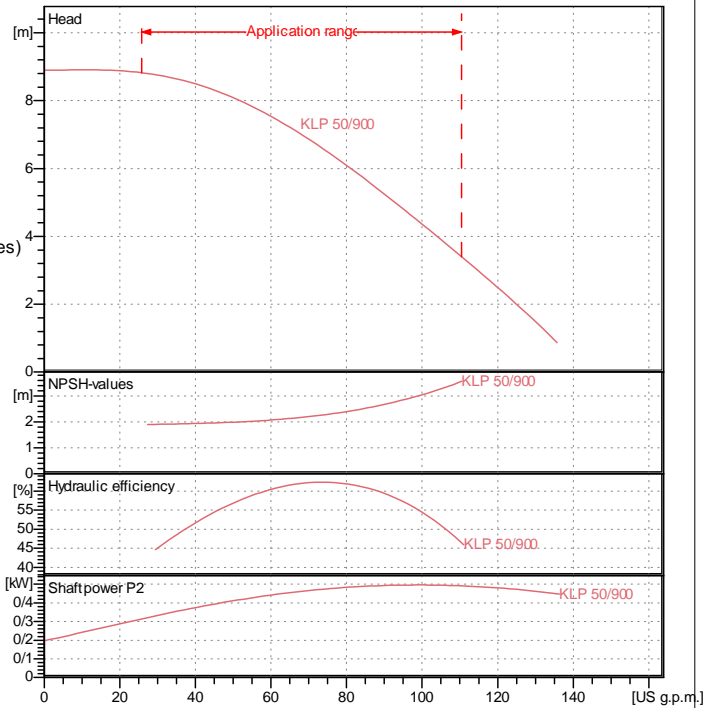
NPSH :

Shaft power P2 :

Efficiency :

Materials

Pump body	Cast iron 250 UNI ISO 185
Support	Cast iron 250 UNI ISO 185
Impeller	Technopolymer B
Mechanical seal	Carbon/Ceramic
OR ring	EPDM Rubber
Shaft with rotor	AISI 303 X10 CrNiS 1809 UNI 6900/71

Curve tolerance according to ISO 9906

Weight : 26 kg

Dimensions in mm

A	110	D2	125	L	280
B	204	D3	165	L1	140
B1	94	D4	4 asole 18x23	L2	140
B2	110	DNA	50	M	2 fori 10
C	100	DNM	50		
D	90	H	not available		
D1	110	H1	73		

Pump connection

 Suction side : DN 50 / PN6 (4 slotted holes), PN10 (4 holes)
 Discharge side : DN 50 / PN6 (4 slotted holes), PN10 (4 holes)