

**Receiver**
**From**

 Society  
 Reference  
 Address  
 Phone  
 Fax  
 E-mail

**Item n° :**

105110414

**Model :**

KLP 40/600 M

**Pump data**

 MEI  $\geq$  0,40

Pressure rating : PN6 (4 slotted holes), PN10 (4 holes)

Min. fluid temperature : 5 °F

Max. fluid temperature : 248 °F

Max. Ambient temperature : 104 °F

**Requested data**

Flow : 0/00 US g.p.m.

Head : 0/00 m

Fluid (%) : Water, pure

Fluid Temperature : 68 °F

 Density : 62/322 lb/ft<sup>3</sup>

 Kinematic viscosity : 1/0818E-5 ft<sup>2</sup>/s

Vapor pressure : 2/34 kPa

**Hydraulic data (duty point)**

Flow :

Head :

NPSH :

Shaft power P2 :

Efficiency :

**Materials**

Pump body : Cast iron 250 UNI ISO 185

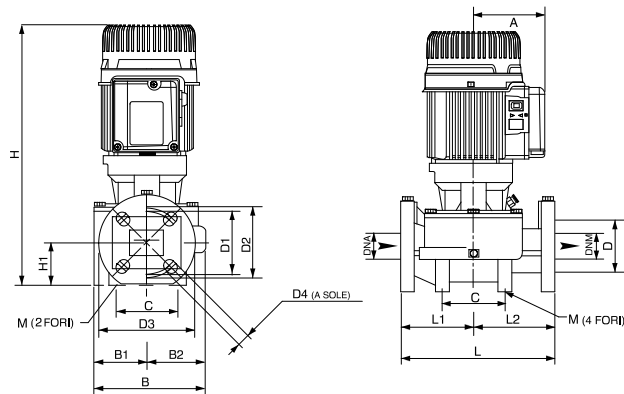
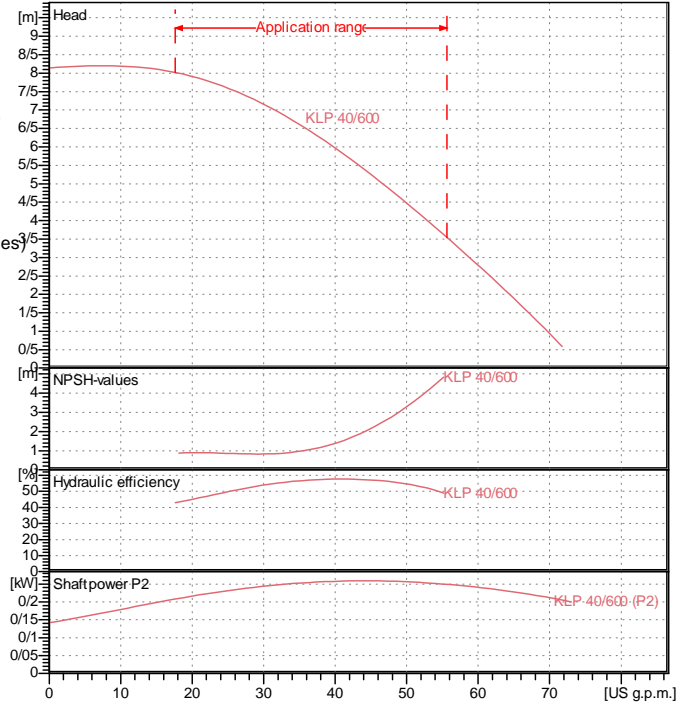
Support : Cast iron 250 UNI ISO 185

Impeller : Technopolymer B

Mechanical seal : Carbon/Ceramic

OR ring : EPDM Rubber

Shaft with rotor : AISI 303 X10 CrNiS 1809 UNI 6900/71

**Curve tolerance according to ISO 9906**

**Weight :** 22/5 kg

**Dimensions in mm**

A	110	D2	110	L	250
B	179	D3	150	L1	125
B1	82	D4	4 asole 18x23	L2	125
B2	97	DNA	40	M	2 fori 10
C	100	DNM	40		
D	80	H	395		
D1	100	H1	66		

**Pump connection**

Suction side : DN 40 / PN6 (4 slotted holes), PN10 (4 holes)

Discharge side : DN 40 / PN6 (4 slotted holes), PN10 (4 holes)