

**Receiver**
**From**

 Society  
 Reference  
 Address  
 Phone  
 Fax  
 E-mail

**Item n° :**

60146980

Model :

CM 50-630 T IE2

**Pump data**

 MEI  $\geq$  0,60

 Pressure rating : PN 16  
 Min. fluid temperature : 14 °F  
 Max. fluid temperature : 266 °F  
 Max. Ambient temperature : 104 °F

**Requested data**

 Flow : 0/00 US g.p.m.  
 Head : 0/00 m  
 Fluid (%) : Water, pure  
 Fluid Temperature : 68 °F  
 Density : 62/322 lb/ft<sup>3</sup>  
 Kinematic viscosity : 1/0818E-5 ft<sup>2</sup>/s  
 Vapor pressure : 2/34 kPa

**Hydraulic data (duty point)**

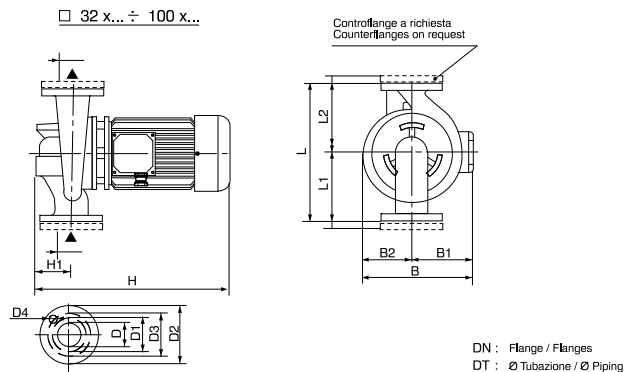
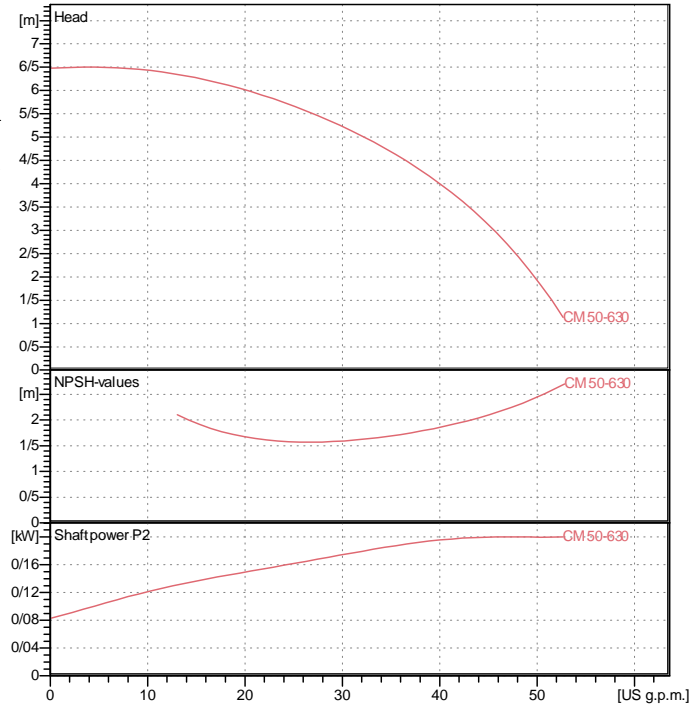
 Flow :  
 Head :  
 NPSH :  
 Shaft power P2 :  
 Efficiency :

**Materials**

 Pump body : Cast iron 250 UNI ISO 185  
 Support : Cast iron 250 UNI ISO 185  
 Impeller : Technopoly mer B  
 Mechanical seal : Carbon/Graphite  
 OR ring : EPDM Rubber  
 Shaft with rotor : AISI 304 X5 Cr Ni 1810 UNI 6900/71

**Motor data**

 Nominal power P2 : 0/75 kW  
 Rated speed : 1468 rpm  
 Rated voltage : 3~ 230 V / 400 V 50 Hz  
 Nominal current : 1/9 / 1/1 A  
 Degree of protection : IP 55

**Curve tolerance according to ISO 9906**

**Weight :** 46/6 kg

**Dimensions in mm**

B	233	D4	4 x ?18
B1	120	H	463
B2	113	H1	105
D	50 PN 16	L	425
D1	102	L1	225
D2	165	L2	200
D3	125		

**Pump connection**

 Suction side : DN 50 / PN 16  
 Discharge side : DN 50 / PN 16