

**Receiver**
**From**

 Society  
 Reference  
 Address  
 Phone  
 Fax  
 E-mail

**Item n° :**

60112966

**Model :**

VA 65/130 1/2"

**Pump data**

Pressure rating : 10 bar (1000 KPa)

Min. fluid temperature : 14 °F

Max. fluid temperature : 230 °F

**Minimum suction head :**

Temperature °F

Minimum suction head : m

**Requested data**

Flow : 0/00 US g.p.m.

Head : 0/00 m

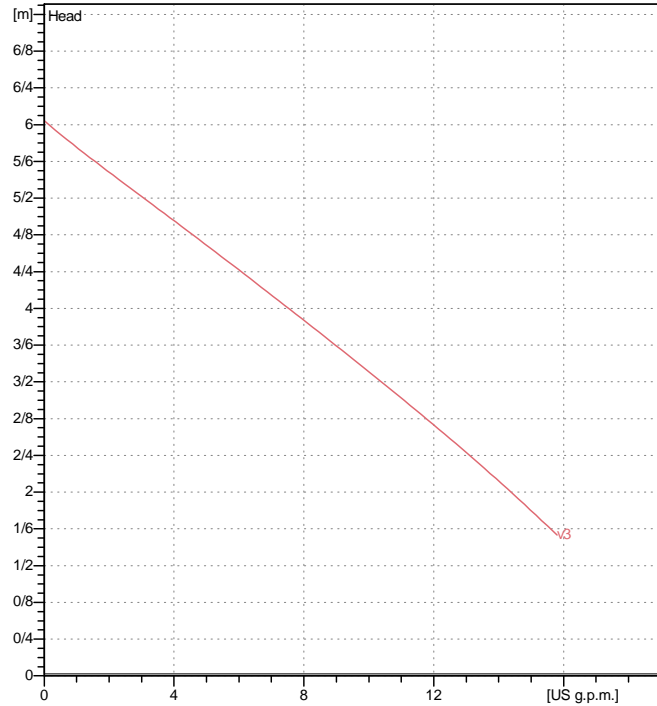
Fluid (%) : Water, pure

Fluid Temperature : 68 °F

Density : 62/322 lb/ft³

Kinematic viscosity : 1/0818E-5 ft²/s

Vapor pressure : 2/34 kPa

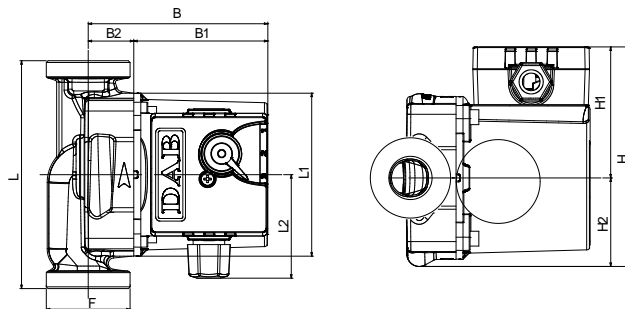
**Curve tolerance according to ISO 9906**

**Hydraulic data (duty point)**

Flow :

Head :

**Materials**

Pump body	Cast iron
Impeller	Technopolymer
Motor shaft	Stainless steel
Air vent plug	Brass
Seal ring	Etyilene propylene
Motor casing	Die cast aluminium
Stator jacket	Stainless steel


**Motor data**

Motor brand : DAB

Power input P1 : 0/078 kW

Rated speed : 2310 rpm

Rated voltage : 1~ 230 V

50 Hz

Nominal current : 0/34 A

Degree of protection : IP 44

**Dimensions in mm**

B	104	H	124	L1	98		
B1	78	H1	75	L2	60		
B2	26	H2	49				
F	1"	L	130				

**Weight :** 2/5 kg

**Pump connection**

Suction side : 1 " G / 10 bar (1000 KPa)

Discharge side : 1 " G / 10 bar (1000 KPa)