

**Receiver**
**From**

 Society  
 Reference  
 Address  
 Phone  
 Fax  
 E-mail

**Item n° :**

60112957

**Model :**

VA 55/180 X

**Pump data**

Pressure rating : 10 bar (1000 KPa)

Min. fluid temperature : 14 °F

Max. fluid temperature : 230 °F

**Minimum suction head :**

Temperature °F

Minimum suction head : m

**Requested data**

Flow : 0/00 US g.p.m.

Head : 0/00 m

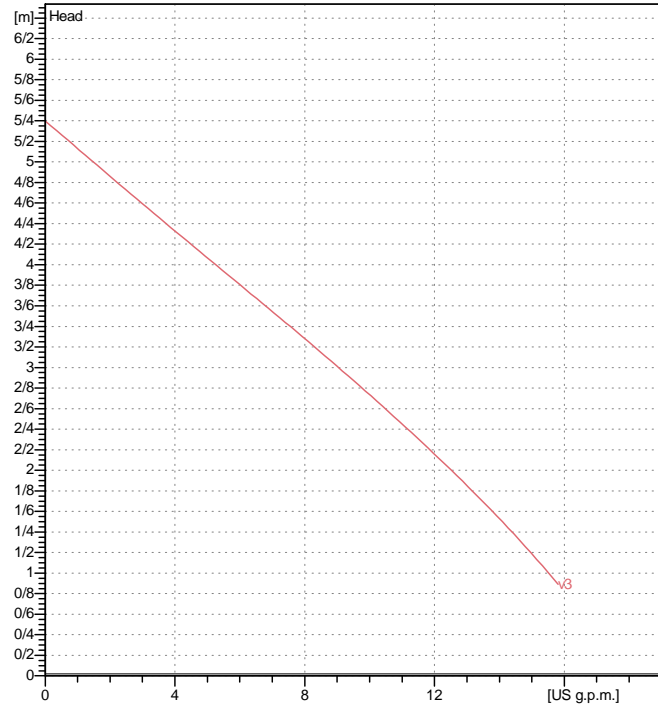
Fluid (%) : Water, pure

Fluid Temperature : 68 °F

Density : 62/322 lb/ft³

Kinematic viscosity : 1/0818E-5 ft²/s

Vapor pressure : 2/34 kPa

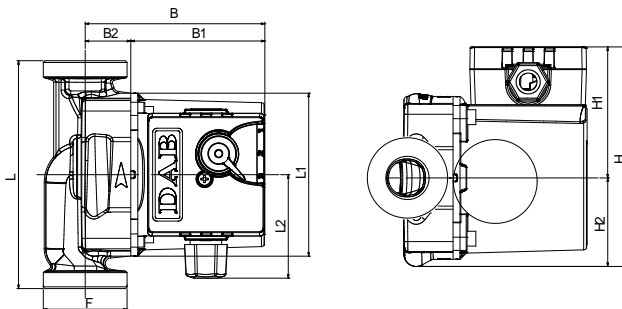
**Curve tolerance according to ISO 9906**

**Hydraulic data (duty point)**

Flow :

Head :

**Materials**

|               |                    |
|---------------|--------------------|
| Pump body     | Cast iron          |
| Impeller      | Technopolymer      |
| Motor shaft   | Stainless steel    |
| Air vent plug | Brass              |
| Seal ring     | Etyilene propylene |
| Motor casing  | Die cast aluminium |
| Stator jacket | Stainless steel    |


**Motor data**

Motor brand : DAB

Power input P1 : 0/07 kW

Rated speed : 2400 rpm

Rated voltage : 1~ 230 V

50 Hz

Nominal current : 0/3 A

Degree of protection : IP 44

**Dimensions in mm**

|    |     |    |     |    |    |  |  |
|----|-----|----|-----|----|----|--|--|
| B  | 104 | H  | 124 | L1 | 98 |  |  |
| B1 | 78  | H1 | 75  | L2 | 60 |  |  |
| B2 | 26  | H2 | 49  |    |    |  |  |
| F  | 2"  | L  | 180 |    |    |  |  |

**Weight :** 2/6 kg

**Pump connection**

Suction side : 2 " G / 10 bar (1000 KPa)

Discharge side : 2 " G / 10 bar (1000 KPa)