

Receiver
From

 Society
 Reference
 Address
 Phone
 Fax
 E-mail

Item n° :

60112900

Model :

VA 25/180

Pump data

Pressure rating : 10 bar (1000 KPa)

Min. fluid temperature : 14 °F

Max. fluid temperature : 230 °F

Minimum suction head :

Temperature °F

Minimum suction head : m

Requested data

Flow : 0/00 US g.p.m.

Head : 0/00 m

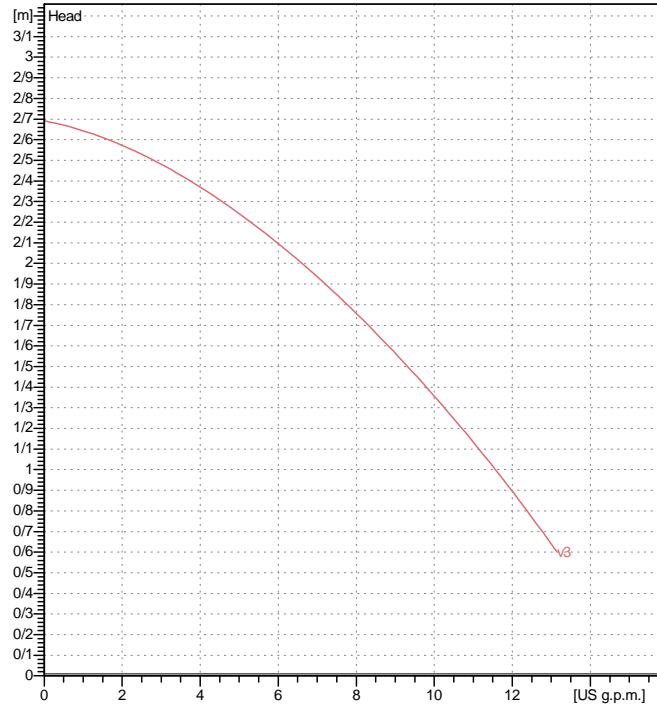
Fluid (%) : Water, pure

Fluid Temperature : 68 °F

 Density : 62/322 lb/ft³

 Kinematic viscosity : 1/0818E-5 ft²/s

Vapor pressure : 2/34 kPa

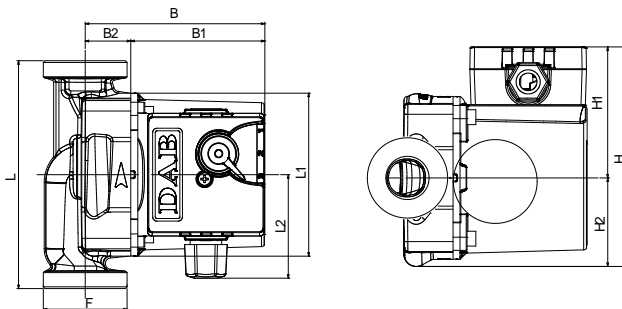
Curve tolerance according to ISO 9906

Hydraulic data (duty point)

Flow :

Head :

Materials

Pump body	Cast iron
Impeller	Technopolymer
Motor shaft	Stainless steel
Air vent plug	Brass
Seal ring	Etyilene propylene
Motor casing	Die cast aluminium
Stator jacket	Stainless steel


Motor data
Dimensions in mm

Motor brand :	DAB	B	104	H	124	L1	98		
Power input P1 :	0/043 kW	B1	78	H1	75	L2	60		
Rated speed :	2655 rpm	B2	26	H2	49				
Rated voltage :	1~ 230 V	F	1" 1/2	L	180				
Nominal current :	0/19 A	Weight : 2/6 kg							
Degree of protection :	IP 44	Pump connection							
		Suction side : 1" 1/2 G 10 bar (1000 KPa) Discharge side : 1" 1/2 G 10 bar (1000 KPa)							