

Receiver
From

 Society
 Reference
 Address
 Phone
 Fax
 E-mail

Item n° :

505809601

Model :

A 110/180 XT

Pump data

Pressure rating : 10 bar (1000 KPa)

Min. fluid temperature : 14 °F

Max. fluid temperature : 230 °F

Minimum suction head :

Temperature °F 194

Minimum suction head : m 2/5

Requested data

Flow : 0/00 US g.p.m.

Head : 0/00 m

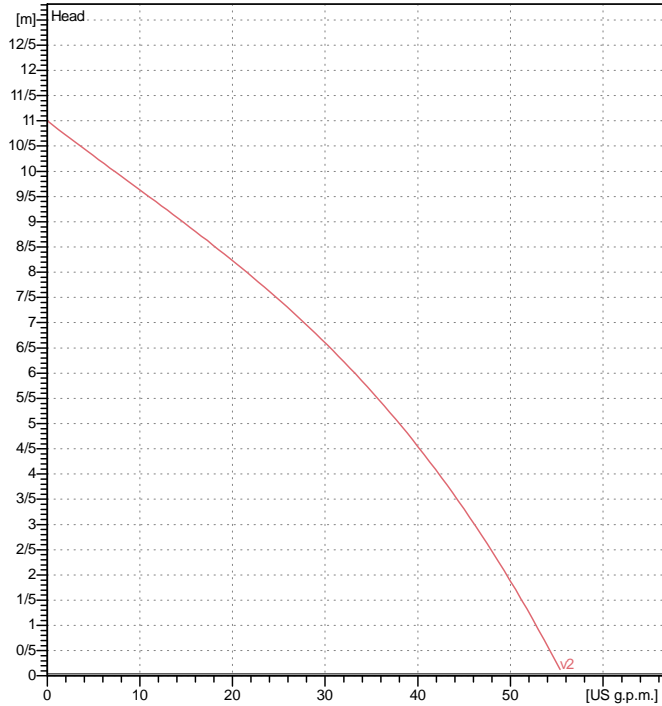
Fluid (%) : Water, pure

Fluid Temperature : 68 °F

Density : 62/322 lb/ft³

Kinematic viscosity : 1/0818E-5 ft²/s

Vapor pressure : 2/34 kPa

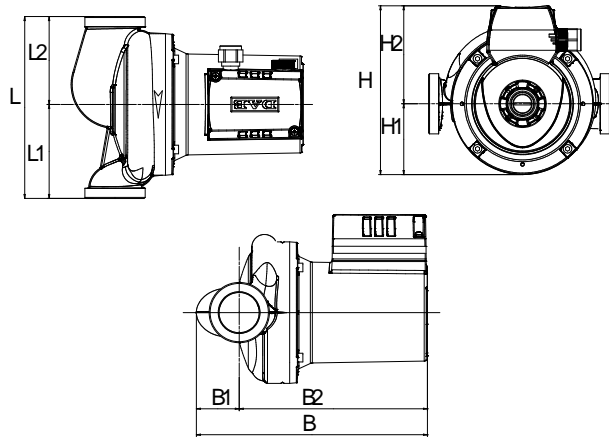
Curve tolerance according to ISO 9906

Hydraulic data (duty point)

Flow :

Head :

Materials

Pump body	Cast iron
Impeller	Technopolymer
Motor shaft	Stainless steel
Air vent plug	Brass
Seal ring	Etyilene propylene
Motor casing	Die cast aluminium
Stator jacket	Stainless steel


Motor data

Motor brand : DAB

Power input P1 : 0/3971 kW

Rated speed : 3421 rpm

Rated voltage : 3~ 400 V 50 Hz

Nominal current : 0/87 A

Degree of protection : IP 44

Dimensions in mm

B	229	H	163	L1	93		
B1	42	H1	70	L2	87		
B2	186	H2	93				
F	2"G	L	180				

Weight : 7/7 kg

Pump connection

 Suction side : 2 " / 10 bar (1000 KPa)
 Discharge side : 2 " / 10 bar (1000 KPa)