

Receiver
From

 Society
 Reference
 Address
 Phone
 Fax
 E-mail

Item n° :

505924622

Model :

BPH 60/280.50 T

Pump data

 Pressure rating : PN 10
 Min. fluid temperature : 14 °F
 Max. fluid temperature : 248 °F

Minimum suction head :

| | | | | | |
|------------------------|----|-----|-----|-----|-----|
| Temperature | °F | 167 | 194 | 230 | 248 |
| Minimum suction head : | m | 1/6 | 6 | -- | 19 |

Requested data

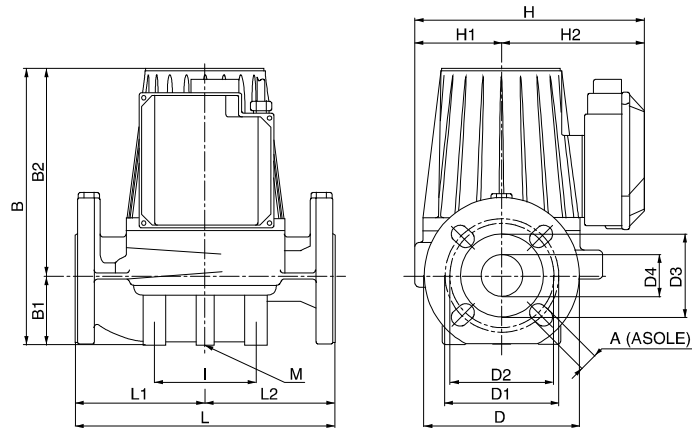
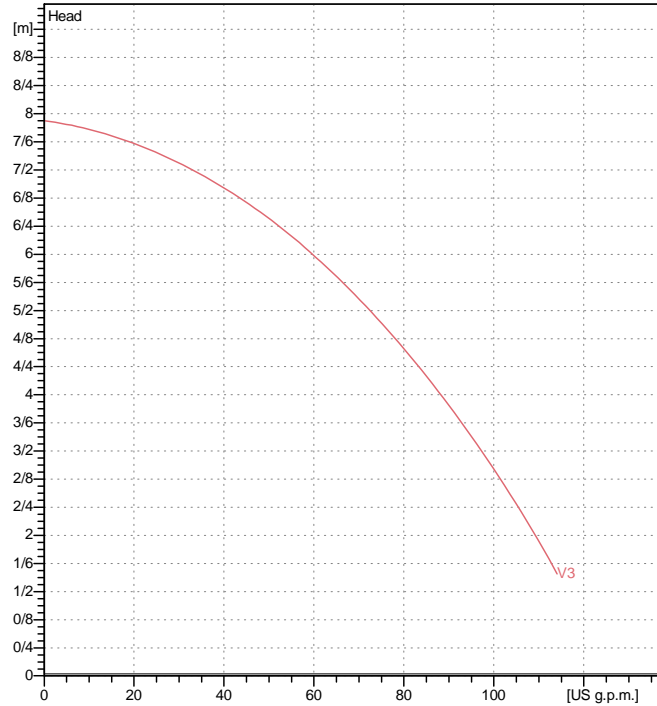
 Flow : 0/00 US g.p.m.
 Head : 0/00 m
 Fluid (%) : Water, pure
 Fluid Temperature : 68 °F
 Density : 62/322 lb/ft³
 Kinematic viscosity : 1/0818E-5 ft²/s
 Vapor pressure : 2/34 kPa

Hydraulic data (duty point)

 Flow :
 Head :

Materials

| | |
|---------------|------------------------------|
| Pump body | Cast iron 200 UNI ISO 185 |
| Impeller | Technopolymer B |
| Motor shaft | AISI 420 C |
| Air vent plug | Brass P Cu Zn40 Pb2 UNI 5705 |
| Seal ring | Ethylene propylene (EPDM) |
| Motor casing | Die cast aluminium |
| Stator jacket | AISI 321Bon. - AISI 304 |

Curve tolerance according to ISO 9906

Motor data

| | | |
|------------------------|-----------|-------|
| Motor brand : | DAB | |
| Power input P1 : | 0/5891 kW | |
| Rated speed : | 2890 rpm | |
| Rated voltage : | 3~ 400 V | 50 Hz |
| Nominal current : | 1/31 A | |
| Degree of protection : | IP 44 | |

Dimensions in mm

| | | | | | | | |
|----|-----|----|-----|----|-----|----|-----|
| A | 18 | D | 165 | D4 | 50 | I | 100 |
| B | 312 | D1 | 125 | H | 254 | I1 | - |
| B1 | 73 | D2 | 110 | H1 | 96 | I2 | - |
| B2 | 239 | D3 | 90 | H2 | 158 | I3 | - |

Weight : 24 kg

Pump connection

 Suction side : DN 50 / PN 10
 Discharge side : DN 50 / PN 10