

**Receiver**
**From**

 Society  
 Reference  
 Address  
 Phone  
 Fax  
 E-mail

**Item n° :**

505927002

**Model :**

BPH 120/280.50 M

**Pump data**

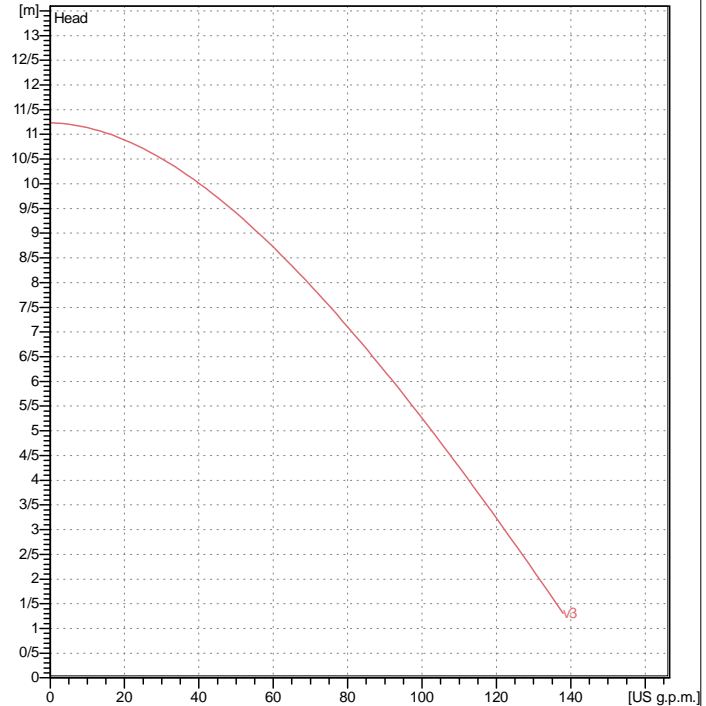
 Pressure rating : PN 10  
 Min. fluid temperature : 14 °F  
 Max. fluid temperature : 194 °F

**Minimum suction head :**

Temperature	°F	167	194	230	248
Minimum suction head :	m	2	5	--	20

**Requested data**

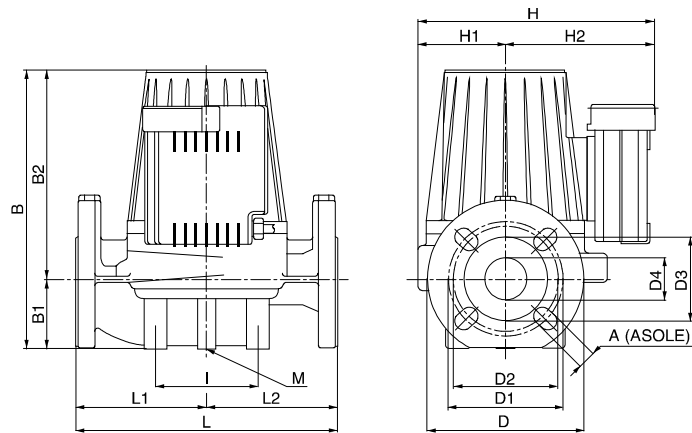
 Flow : 0/00 US g.p.m.  
 Head : 0/00 m  
 Fluid (%) : Water, pure  
 Fluid Temperature : 68 °F  
 Density : 62/322 lb/ft³  
 Kinematic viscosity : 1/0818E-5 ft²/s  
 Vapor pressure : 2/34 kPa

**Curve tolerance according to ISO 9906**

**Hydraulic data (duty point)**

 Flow :  
 Head :

**Materials**

Pump body	Cast iron 200 UNI ISO 185
Impeller	Technopolymer B
Motor shaft	AISI 420 C
Air vent plug	Brass P Cu Zn40 Pb2 UNI 5705
Seal ring	Ethylene propylene (EPDM)
Motor casing	Die cast aluminium
Stator jacket	AISI 321Bon. - AISI 304


**Motor data**

Motor brand :	DAB
Power input P1 :	0/87 kW
Rated speed :	2690 rpm
Rated voltage :	1~ 230 V
Nominal current :	3/97 A
Degree of protection :	IP 44

**Dimensions in mm**

A	18	D	165	D4	50	I	100
B	312	D1	125	H	254	I1	-
B1	73	D2	110	H1	96	I2	-
B2	239	D3	90	H2	158	I3	-

**Weight :** 24 kg

**Pump connection**

 Suction side : DN 50 / PN 10  
 Discharge side : DN 50 / PN 10