

Receiver
From

 Society
 Reference
 Address
 Phone
 Fax
 E-mail

Item n° :
 60179857

Model :
 K 66/100 T IE3

Pump data
MEI ≥
 Pressure rating : 10 bar (1000 kPa)
 Min. fluid temperature : 5 °F
 Max. fluid temperature : 230 °F
 Max. Ambient temperature : 104 °F

Requested data

 Flow : 0/00 US g.p.m.
 Head : 0/00 m
 Fluid : Water, pure
 Fluid Temperature : 68 °F
 Density : 62/322 lb/ft³
 Kinematic viscosity : 1/0818E-5 ft²/s
 Vapor pressure : 2/34 kPa

Hydraulic data (duty point)

 Flow :
 Head :
 NPSH :
 Shaft power P2 :
 Efficiency :

Materials

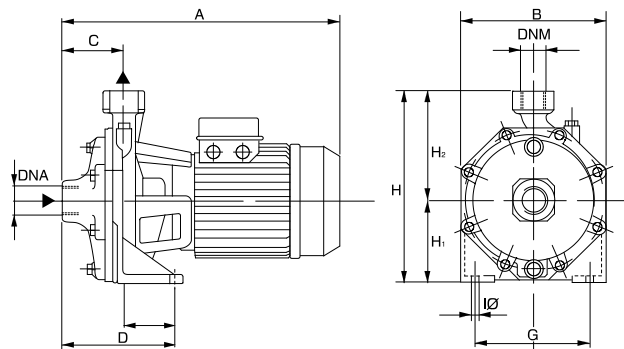
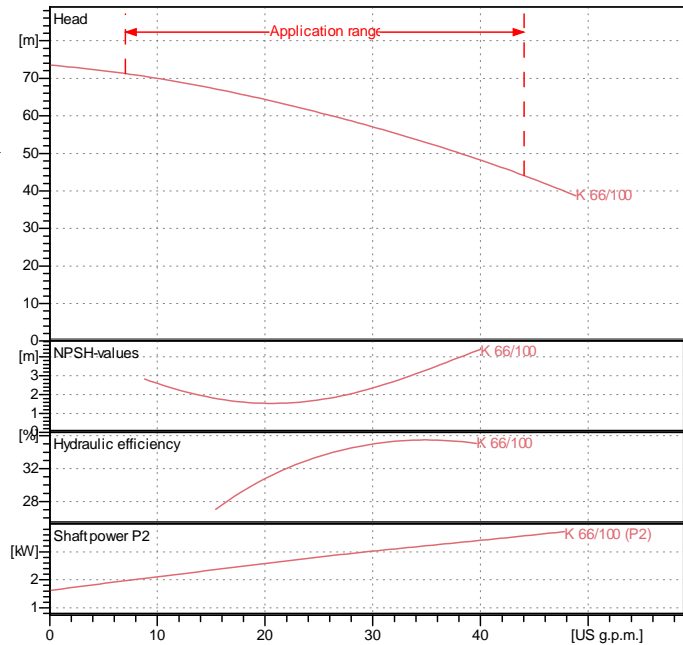
 Pump body : Cast iron 200 UNI ISO 185
 Support : Cast iron 200 UNI ISO 185
 Impeller : Technopolymer B
 Mechanical seal : Carbon/Ceramic
 OR ring : Guarnital
 Shaft with rotor : AISI 303 X10 CrNiS 1809 UNI 6900/71
 Intermediate cover : Cast iron 200 UNI ISO 185

Motor data

 Motor brand : DAB
 Nominal power P2 : 3 kW
 Rated speed : 2850 rpm
 Rated voltage : 3~ 230 V / 400 V 50 Hz
 Nominal current : 14/6 / 8/4 A
 Degree of protection : IP 55

Pump connection

 Suction side : 1 " 1/2 G/ 10 bar (1000 kPa)
 Discharge side : 1 " G / 10 bar (1000 kPa)

Curve tolerance according to ISO 9906

Weight : 40/7 kg

Dimensions in mm

A	450	I?	14
B	256		
C	88		
D	160		
DNA	1" 1/2 G		
DNM	1" G		
E	72		
F	18		
G	200		
H	312/5		
H1	140		
H2	172/5		