

**Receiver**
**From**

 Society  
 Reference  
 Address  
 Phone  
 Fax  
 E-mail

**Item n° :**  
 60152449

**Model :**  
 K 66/100 M

**Pump data**
**MEI ≥**  
 Pressure rating : 10 bar (1000 kPa)  
 Min. fluid temperature : 5 °F  
 Max. fluid temperature : 230 °F  
 Max. Ambient temperature : 104 °F

**Requested data**

 Flow : 0/00 US g.p.m.  
 Head : 0/00 m  
 Fluid : Water, pure  
 Fluid Temperature : 68 °F  
 Density : 62/322 lb/ft³  
 Kinematic viscosity : 1/0818E-5 ft²/s  
 Vapor pressure : 2/34 kPa

**Hydraulic data (duty point)**

 Flow :  
 Head :  
 NPSH :  
 Shaft power P2 :  
 Efficiency :

**Materials**

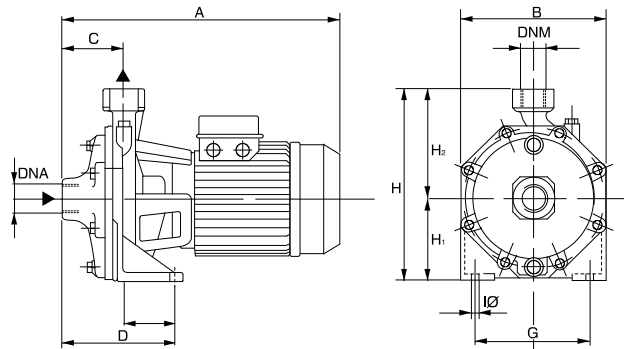
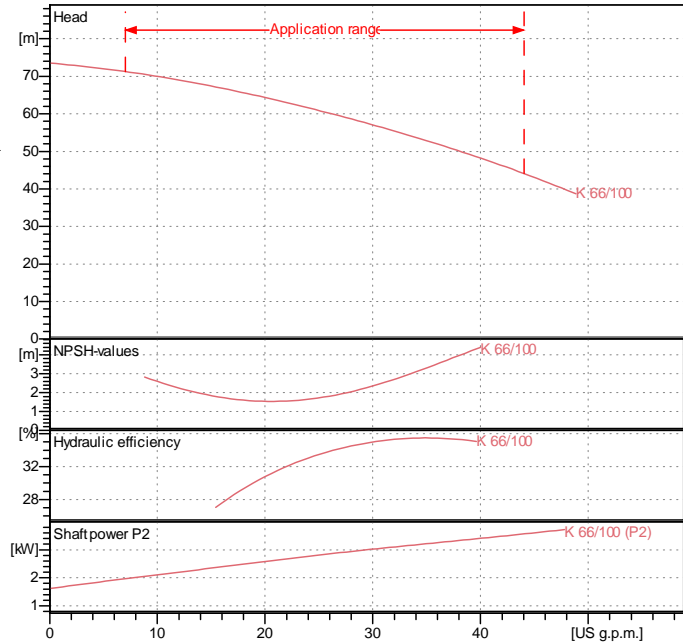
 Pump body : Cast iron 200 UNI ISO 185  
 Support : Cast iron 200 UNI ISO 185  
 Impeller : Technopolymer B  
 Mechanical seal : Carbon/Ceramic  
 OR ring : Guarnital  
 Shaft with rotor : AISI 303 X10 CrNiS 1809 UNI 6900/71  
 Intermediate cover : Cast iron 200 UNI ISO 185

**Motor data**

 Motor brand : DAB  
 Nominal power P2 : 3 kW  
 Rated speed : 2900 rpm  
 Rated voltage : 1- 230 V 50 Hz  
 Nominal current : 19/5 A  
 Degree of protection : IP 55

**Pump connection**

 Suction side : 1 " 1/2 G/ 10 bar (1000 kPa)  
 Discharge side : 1 " G / 10 bar (1000 kPa)

**Curve tolerance according to ISO 9906**

**Weight :** 40/7 kg

**Dimensions in mm**

A	450	I?	14
B	256		
C	88		
D	160		
DNA	1" 1/2 G		
DNM	1" G		
E	72		
F	18		
G	200		
H	312/5		
H1	140		
H2	172/5		