

Receiver
From

 Society
 Reference
 Address
 Phone
 Fax
 E-mail

Item n° :
 60152453

Model :
 K 55/200 M

Pump data

 MEI \geq 0,70
 Pressure rating : 8 bar (800 kPa)
 Min. fluid temperature : 5 °F
 Max. fluid temperature : 230 °F
 Max. Ambient temperature : 104 °F

Requested data

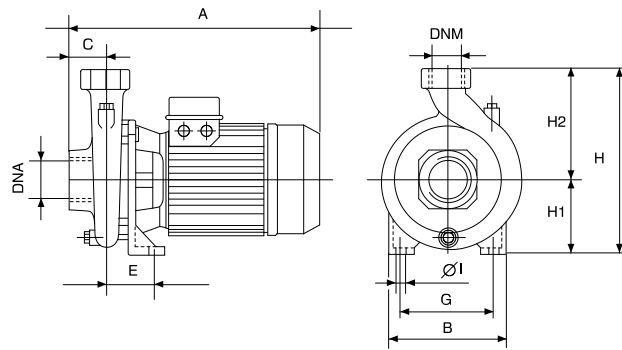
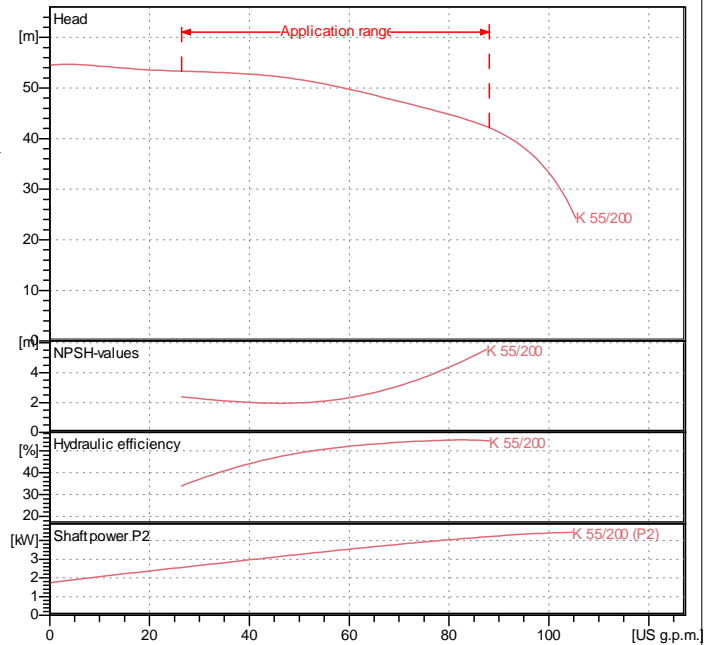
 Flow : 0/00 US g.p.m.
 Head : 0/00 m
 Fluid : Water, pure
 Fluid Temperature : 68 °F
 Density : 62/322 lb/ft³
 Kinematic viscosity : 1/0818E-5 ft²/s
 Vapor pressure : 2/34 kPa

Hydraulic data (duty point)

 Flow :
 Head :
 NPSH :
 Shaft power P2 :
 Efficiency :

Materials

 Pump body : Cast iron 200 UNI ISO 185
 Support : Cast iron 200 UNI ISO 185
 Impeller : Technopoly mer B
 Mechanical seal : Carbon/Ceramic
 OR ring : EPDM Rubber
 Shaft with rotor : AISI 303 X10 CrNiS 1809 UNI 6900/71

Curve tolerance according to ISO 9906

Weight : 39 kg

Motor data

 Motor brand : DAB
 Nominal power P2 : 4 kW
 Rated speed : 2830 rpm
 Rated voltage : 1- 230 V 50 Hz
 Nominal current : 21/8 A
 Degree of protection : IP 55

Dimensions in mm

A	425
B	250
C	55
DNa	2" G
DNM	1 1/4" G
E	86
G	175
H	320
H1	135
H2	185
I?	14

Pump connection

 Suction side : 2 " G / 8 bar (800 kPa)
 Discharge side : 1 " 1/4 G / 8 bar (800 kPa)