

### Receiver

Society  
 Reference  
 Address  
 Phone  
 Fax  
 E-mail

### From

**Item n° :**

60179373

**Model :**

K 55/100 T IE3

**Pump data**
**MEI ≥**

Pressure rating : 10 bar (1000 kPa)

Min. fluid temperature : 14 °F

Max. fluid temperature : 122 °F

Max. Ambient temperature : 104 °F

**Requested data**

Flow : 0/00 US g.p.m.

Head : 0/00 m

Fluid : Water, pure

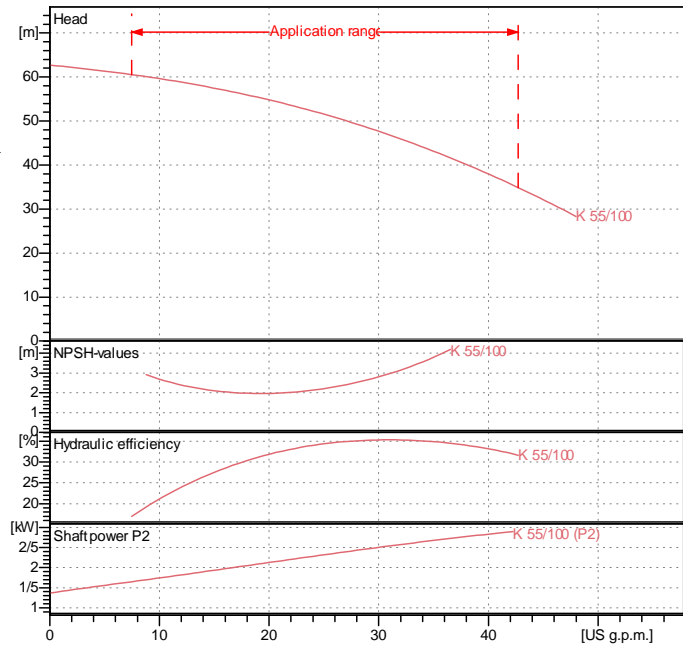
Fluid Temperature : 68 °F

 Density : 62/322 lb/ft<sup>3</sup>

 Kinematic viscosity : 1/0818E-5 ft<sup>2</sup>/s

Vapor pressure : 2/34 kPa

### Curve tolerance according to ISO 9906


**Hydraulic data (duty point)**

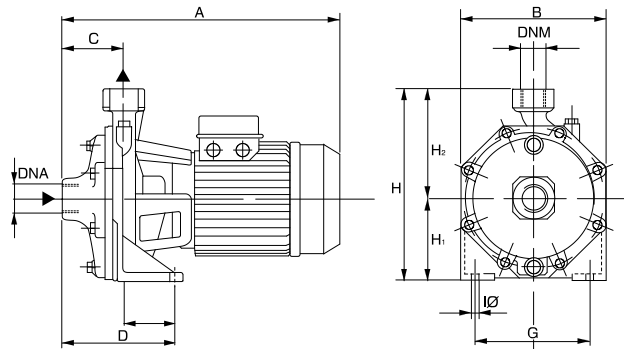
Flow :

Head :

NPSH :

Shaft power P2 :

Efficiency :


**Materials**

Pump body : Cast iron 200 UNI ISO 185

Support : Cast iron 200 UNI ISO 185

Impeller : Technopolymer A

Mechanical seal : Carbon/Ceramic

OR ring : NBR Rubber

Shaft with rotor : AISI 303 X10 CrNiS 1809 UNI 6900/71

Intermediate cover : Cast iron 200 UNI ISO 185

**Weight :** 38/1 kg

**Motor data**

Motor brand : DAB

Nominal power P2 : 2/2 kW

Rated speed : 2850 rpm

Rated voltage : 3~ 230 V / 400 V 50 Hz

Nominal current : 11/6 / 6/7 A

Degree of protection : IP 55

**Dimensions in mm**

A	450
B	256
C	88
D	160
DNA	1" 1/2 G
DNM	1" G
E	72
G	200
H	312/5
H1	140
H2	172/5
I?	14

**Pump connection**

Suction side : 1 " 1/2 G/ 10 bar (1000 kPa)

Discharge side : 1 " G / 10 bar (1000 kPa)