

Receiver
From

Society
 Reference
 Address
 Phone
 Fax
 E-mail

Item n° :
 60152448

Model :
 K 55/100 M

Pump data

MEI ≥
 Pressure rating : 10 bar (1000 kPa)
 Min. fluid temperature : 14 °F
 Max. fluid temperature : 122 °F
 Max. Ambient temperature : 104 °F

Requested data

Flow : 0/00 US g.p.m.
 Head : 0/00 m
 Fluid : Water, pure
 Fluid Temperature : 68 °F
 Density : 62/322 lb/ft³
 Kinematic viscosity : 1/0818E-5 ft²/s
 Vapor pressure : 2/34 kPa

Hydraulic data (duty point)

Flow :
 Head :
 NPSH :
 Shaft power P2 :
 Efficiency :

Materials

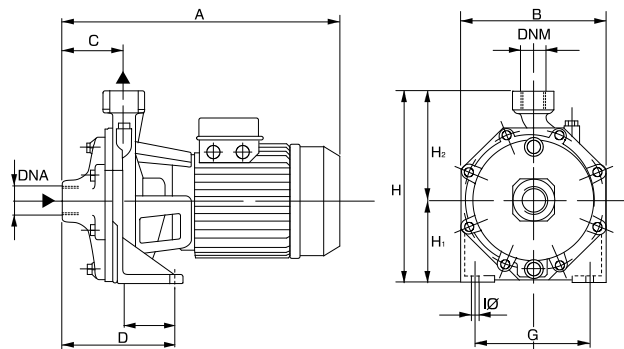
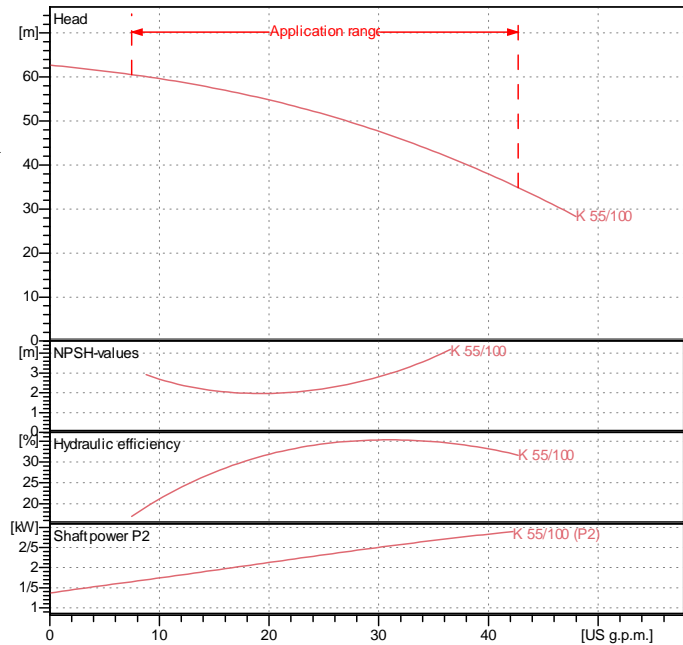
Pump body : Cast iron 200 UNI ISO 185
 Support : Cast iron 200 UNI ISO 185
 Impeller : Technopolymer A
 Mechanical seal : Carbon/Ceramic
 OR ring : NBR Rubber
 Shaft with rotor : AISI 303 X10 CrNiS 1809 UNI 6900/71
 Intermediate cover : Cast iron 200 UNI ISO 185

Motor data

Motor brand : DAB
 Nominal power P2 : 2/2 kW
 Rated speed : 2900 rpm
 Rated voltage : 1- 230 V 50 Hz
 Nominal current : 14/9 A
 Degree of protection : IP 55

Pump connection

Suction side : 1 " 1/2 G/ 10 bar (1000 kPa)
 Discharge side : 1 " G / 10 bar (1000 kPa)

Curve tolerance according to ISO 9906


Weight : 38/1 kg

Dimensions in mm

A	450
B	256
C	88
D	160
DNA	1" 1/2 G
DNM	1" G
E	72
G	200
H	312/5
H1	140
H2	172/5
IØ	14