

**Receiver**
**From**

 Society  
 Reference  
 Address  
 Phone  
 Fax  
 E-mail

**Item n° :**

60167622

**Model :**

K 50/400 T IE3

**Pump data**

 MEI  $\geq$  0,50

Pressure rating : 10 bar (1000 KPa)

Min. fluid temperature : 5 °F

Max. fluid temperature : 230 °F

Max. Ambient temperature : 104 °F

**Requested data**

Flow : 0/00 US g.p.m.

Head : 0/00 m

Fluid : Water, pure

Fluid Temperature : 68 °F

 Density : 62/322 lb/ft<sup>3</sup>

 Kinematic viscosity : 1/0818E-5 ft<sup>2</sup>/s

Vapor pressure : 2/34 kPa

**Hydraulic data (duty point)**

Flow :

Head :

NPSH :

Shaft power P2 :

Efficiency :

**Materials**

Pump body Cast iron 200 UNI ISO 185

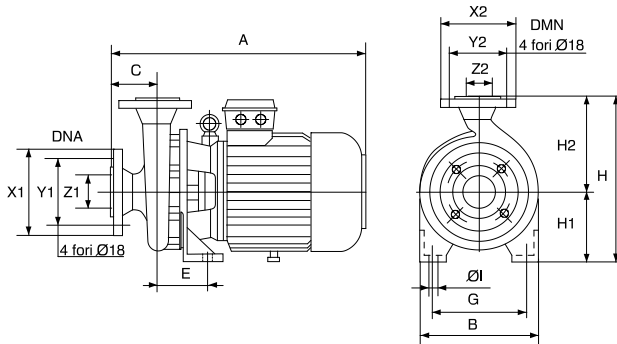
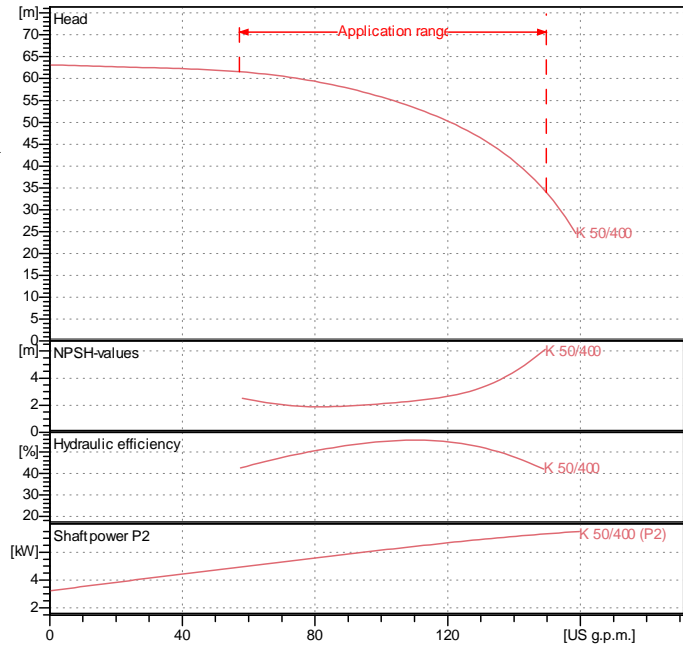
Support Cast iron 200 UNI ISO 185

Impeller Cast iron 200 UNI ISO 185

Mechanical seal Carbon/Ceramic

OR ring NBR Rubber

Shaft with rotor AISI 304 X5 Cr Ni 1810 UNI 6900/71

**Curve tolerance according to ISO 9906**

**Weight :** 78/8 kg

**Motor data**

Motor brand : DAB

Nominal power P2 : 7/5 kW

Rated speed : 2900 rpm

Rated voltage : 3~ 400 V 50 Hz

Nominal current : 15 A

Degree of protection : IP 55

**Dimensions in mm**

A	560	X2	165
B	273	Y1	145
C	100	Y2	125
DNA	65	Z1	65
DNM	50	Z2	50
E	110		
G	212		
H	360		
H1	160		
H2	200		
I?	14		
X1	185		

**Pump connection**

Suction side : DN 65 / 10 bar (1000 KPa)

Discharge side : DN 50 / 10 bar (1000 KPa)