

**Receiver**
**From**

 Society  
 Reference  
 Address  
 Phone  
 Fax  
 E-mail

**Item n° :**

102120022

**Model :**

K 45/50 M

**Pump data**
**MEI ≥**

Pressure rating : 8 bar (800 kPa)

Min. fluid temperature : 14 °F

Max. fluid temperature : 122 °F

Max. Ambient temperature : 104 °F

**Requested data**

Flow : 0/00 US g.p.m.

Head : 0/00 m

Fluid : Water, pure

Fluid Temperature : 68 °F

Density : 62/322 lb/ft³

Kinematic viscosity : 1/0818E-5 ft²/s

Vapor pressure : 2/34 kPa

**Hydraulic data (duty point)**

Flow :

Head :

NPSH :

Shaft power P2 :

Efficiency :

**Materials**

Pump body Cast iron 200 UNI ISO 185

Support Cast iron 200 UNI ISO 185

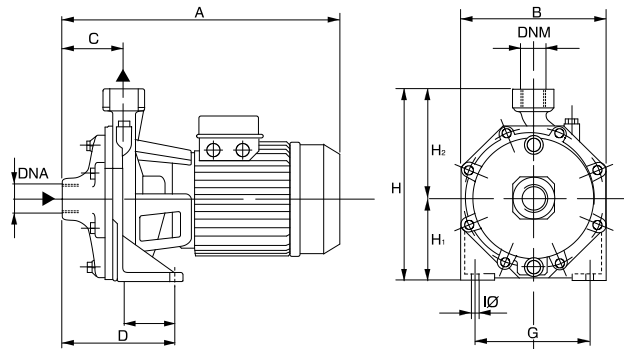
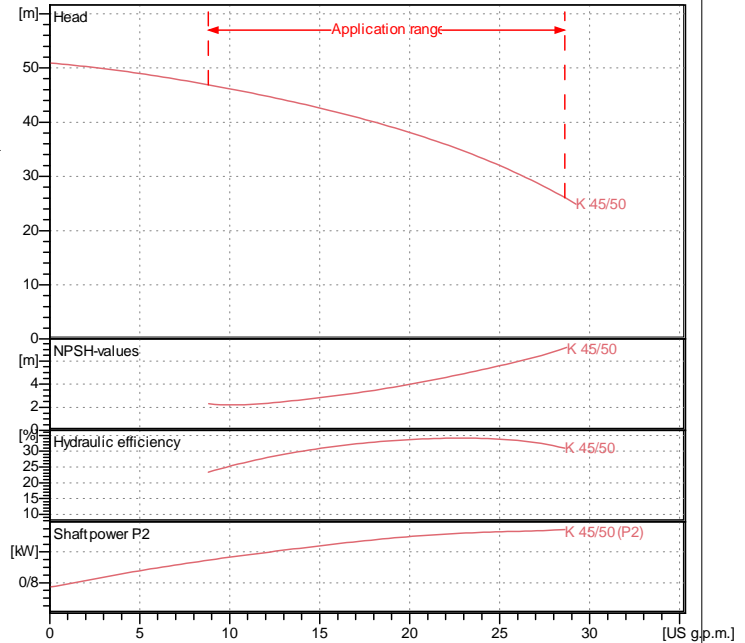
Impeller Technopolymer A

Mechanical seal Carbon/Ceramic

OR ring NBR Rubber

Shaft with rotor AISI 303 X10 CrNiS 1809 UNI 6900/71

Intermediate cover Cast iron 200 UNI ISO 185

**Curve tolerance according to ISO 9906**

**Weight :** 23/3 kg

**Motor data**

Motor brand : DAB

Nominal power P2 : 1/1 kW

Rated speed : 2800 rpm

Rated voltage : 1- 220-240 V 50 Hz

Nominal current : 8/3 A

Degree of protection : IP 44

**Dimensions in mm**

A	370	I?	11/5
B	210		
C	75		
D	144		
DNA	1" 1/4 G		
DNM	1" G		
E	69		
F	15		
G	165		
H	268		
H1	118		
H2	150		

**Pump connection**

Suction side : 1 " 1/4 G/ 8 bar (800 kPa)

Discharge side : 1 " G / 8 bar (800 kPa)