

Receiver
From

 Society
 Reference
 Address
 Phone
 Fax
 E-mail

Item n° :

60180172

Model :

K 40/400 T IE3

Pump data

 MEI \geq 0,50

Pressure rating : 10 bar (1000 KPa)

Min. fluid temperature : 5 °F

Max. fluid temperature : 230 °F

Max. Ambient temperature : 104 °F

Requested data

Flow : 0/00 US g.p.m.

Head : 0/00 m

Fluid : Water, pure

Fluid Temperature : 68 °F

 Density : 62/322 lb/ft³

 Kinematic viscosity : 1/0818E-5 ft²/s

Vapor pressure : 2/34 kPa

Hydraulic data (duty point)

Flow :

Head :

NPSH :

Shaft power P2 :

Efficiency :

Materials

Pump body Cast iron 200 UNI ISO 185

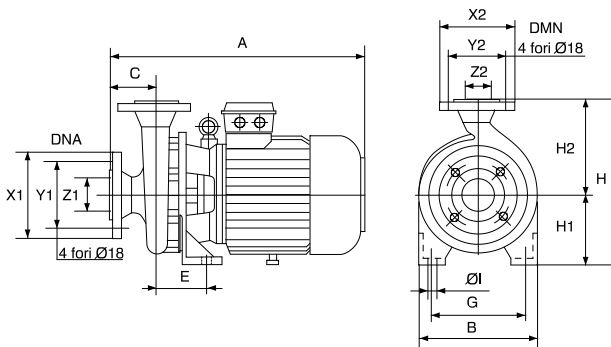
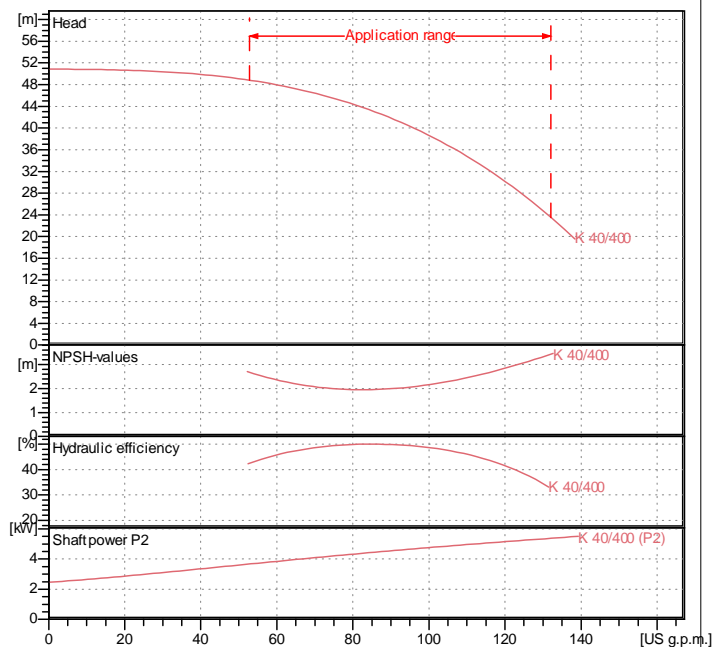
Support Cast iron 200 UNI ISO 185

Impeller Cast iron 200 UNI ISO 185

Mechanical seal Carbon/Ceramic

OR ring NBR Rubber

Shaft with rotor AISI 304 X5 Cr Ni 1810 UNI 6900/71

Curve tolerance according to ISO 9906

Weight : 79 kg

Motor data

Motor brand : DAB

Nominal power P2 : 5/5 kW

Rated speed : 2900 rpm

Rated voltage : 3~ 400 V 50 Hz

Nominal current : 11/5 A

Degree of protection : IP 55

Dimensions in mm

A	560	X2	165
B	273	Y1	145
C	100	Y2	125
DNA	65	Z1	65
DNM	50	Z2	50
E	110		
G	212		
H	360		
H1	160		
H2	200		
I?	14		
X1	185		

Pump connection

Suction side : DN 65 / 10 bar (1000 KPa)

Discharge side : DN 50 / 10 bar (1000 KPa)