

Receiver
From

 Society
 Reference
 Address
 Phone
 Fax
 E-mail

Item n° :
 60179374

Model :
 K 40/200 T IE3

Pump data

 MEI \geq 0,70

Pressure rating : 8 bar (800 kPa)

Min. fluid temperature : 14 °F

Max. fluid temperature : 122 °F

Max. Ambient temperature : 104 °F

Requested data

Flow : 0/00 US g.p.m.

Head : 0/00 m

Fluid : Water, pure

Fluid Temperature : 68 °F

 Density : 62/322 lb/ft³

 Kinematic viscosity : 1/0818E-5 ft²/s

Vapor pressure : 2/34 kPa

Hydraulic data (duty point)

Flow :

Head :

NPSH :

Shaft power P2 :

Efficiency :

Materials

Pump body Cast iron 200 UNI ISO 185

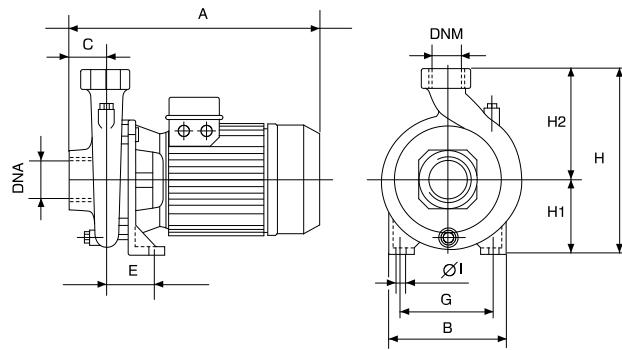
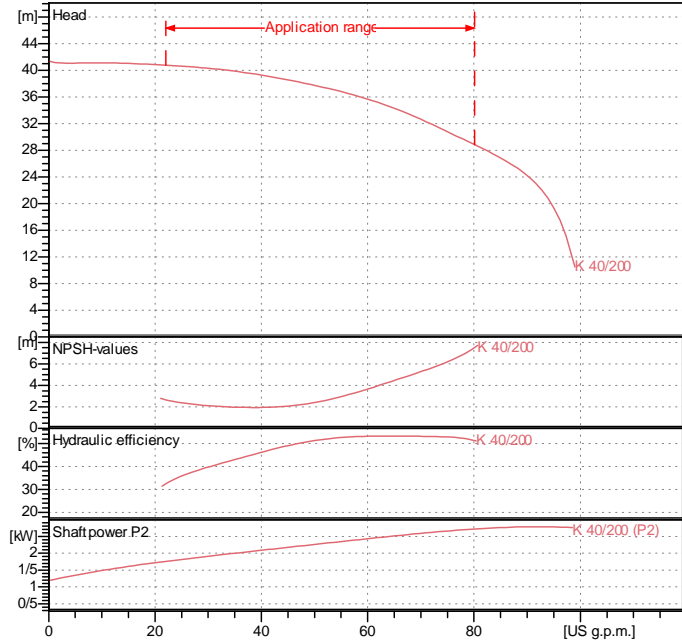
Support Cast iron 200 UNI ISO 185

Impeller Technopolymer A

Mechanical seal Carbon/Ceramic

OR ring EPDM Rubber

Shaft with rotor AISI 303 X10 CrNiS 1809 UNI 6900/71

Curve tolerance according to ISO 9906

Weight : 34/9 kg

Motor data

Motor brand : DAB

Nominal power P2 : 3 kW

Rated speed : 2830 rpm

Rated voltage : 3~ 230 V / 400 V 50 Hz

Nominal current : 11/1 / 6/4 A

Degree of protection : IP 55

Dimensions in mm

A	425
B	250
C	55
DNA	2" G
DNM	1" 1/4 G
E	86
G	175
H	320
H1	135
H2	185
I?	14

Pump connection

Suction side : 2 " G / 8 bar (800 kPa)

Discharge side : 1 " 1/4 G / 8 bar (800 kPa)