

Receiver
From

 Society
 Reference
 Address
 Phone
 Fax
 E-mail

Item n° :

60179861

Model :

K 36/100 T IE3

Pump data

 MEI \geq 0,70

Pressure rating : 6 bar (600 kPa)

Min. fluid temperature : 14 °F

Max. fluid temperature : 122 °F

Max. Ambient temperature : 104 °F

Requested data

Flow : 0/00 US g.p.m.

Head : 0/00 m

Fluid : Water, pure

Fluid Temperature : 68 °F

 Density : 62/322 lb/ft³

 Kinematic viscosity : 1/0818E-5 ft²/s

Vapor pressure : 2/34 kPa

Hydraulic data (duty point)

Flow :

Head :

NPSH :

Shaft power P2 :

Efficiency :

Materials

Pump body Cast iron 200 UNI ISO 185

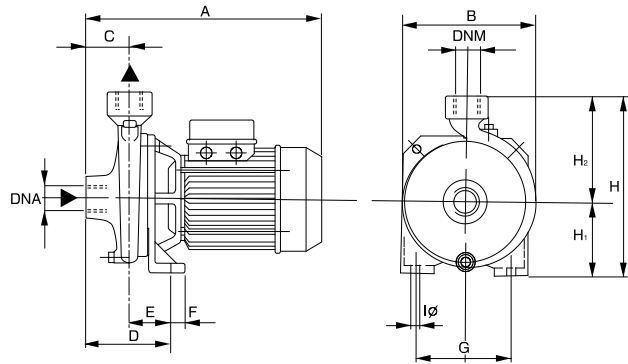
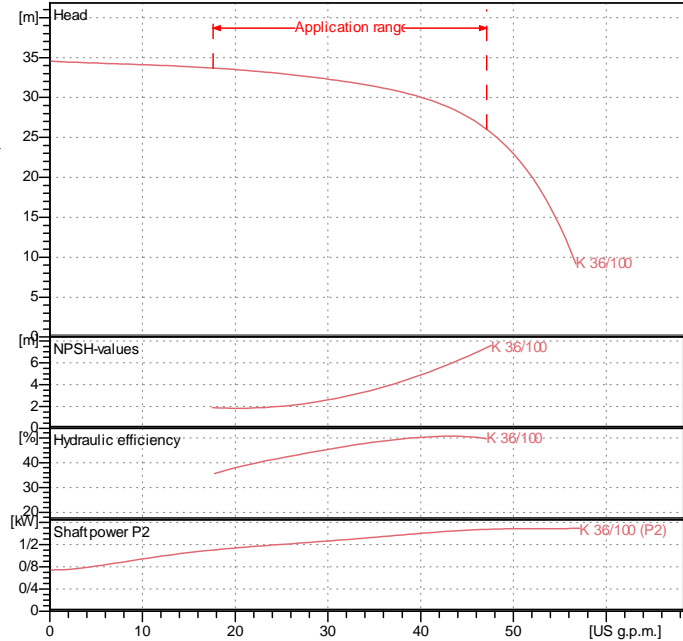
Support Cast iron 200 UNI ISO 185

Impeller Technopolymer A

Mechanical seal Carbon/Ceramic

OR ring NBR Rubber

Shaft with rotor AISI 303 X10 CrNiS 1809 UNI 6900/71

Curve tolerance according to ISO 9906

Weight : 23/3 kg

Motor data

Motor brand : DAB

Nominal power P2 : 1/85 kW

Rated speed : 2870 rpm

Rated voltage : 3~ 230 V / 400 V 50 Hz

Nominal current : 6/9 / 4 A

Degree of protection : IP 44

Dimensions in mm

A	333	I?	9
B	200		
C	50		
D	114		
DNA	1" 1/2 G		
DNM	1" G		
E	64		
F	15		
G	140		
H	255		
H1	105		
H2	150		

Pump connection

Suction side : 1" 1/2 G/ 6 bar (600 kPa)

Discharge side : 1" G / 6 bar (600 kPa)