

Receiver
From

 Society
 Reference
 Address
 Phone
 Fax
 E-mail

Item n° :
 60179870

Model :
 K 35/40 T IE3

Pump data

 MEI ≥
 Pressure rating : 6 bar (600 kPa)
 Min. fluid temperature : 14 °F
 Max. fluid temperature : 122 °F
 Max. Ambient temperature : 104 °F

Requested data

 Flow : 0/00 US g.p.m.
 Head : 0/00 m
 Fluid : Water, pure
 Fluid Temperature : 68 °F
 Density : 62/322 lb/ft³
 Kinematic viscosity : 1/0818E-5 ft²/s
 Vapor pressure : 2/34 kPa

Hydraulic data (duty point)

 Flow :
 Head :
 NPSH :
 Shaft power P2 :
 Efficiency :

Materials

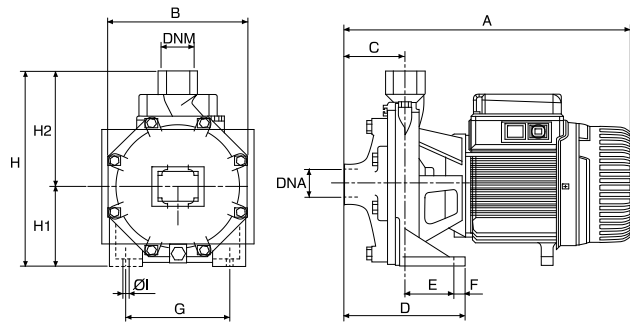
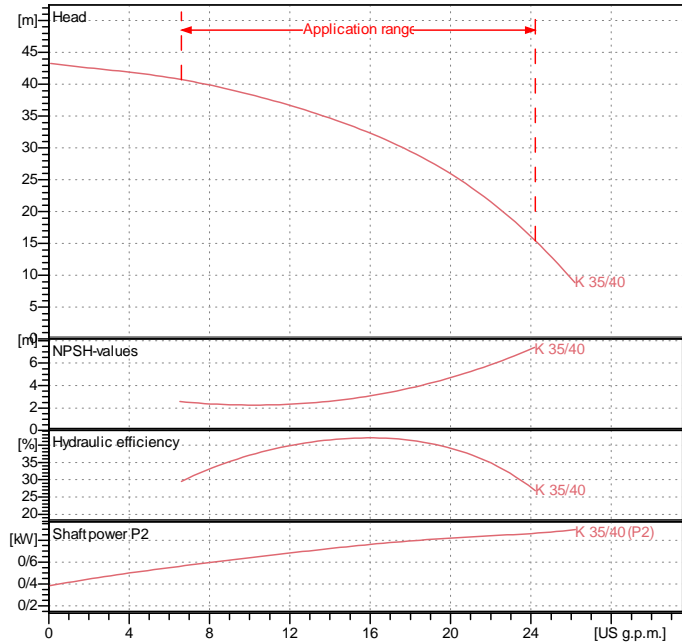
 Pump body : Cast iron 200 UNI ISO 185
 Support : Cast iron 200 UNI ISO 185
 Impeller : Technopolymer A
 Mechanical seal : Carbon/Ceramic
 OR ring : NBR Rubber
 Shaft with rotor : AISI 416 X12 CrS 13 UNI 6900/71
 Intermediate cover : Cast iron 200 UNI ISO 185

Motor data

 Motor brand : DAB
 Nominal power P2 : 0/75 kW
 Rated speed : 2850 rpm
 Rated voltage : 3~ 230 V / 400 V 50 Hz
 Nominal current : 3/8 / 2/2 A
 Degree of protection : IP 44

Pump connection

 Suction side : 1" G / 6 bar (600 kPa)
 Discharge side : 1" G / 6 bar (600 kPa)

Curve tolerance according to ISO 9906

Weight : 15/9 kg

Dimensions in mm

| | | | |
|-----|------|----|-----|
| A | 342 | I? | 9/5 |
| B | 180 | | |
| C | 76 | | |
| D | 148 | | |
| DNA | 1" G | | |
| DNM | 1" G | | |
| E | 72 | | |
| F | 15 | | |
| G | 148 | | |
| H | 235 | | |
| H1 | 100 | | |
| H2 | 135 | | |