

Receiver
From

 Society
 Reference
 Address
 Phone
 Fax
 E-mail

Item n° :
 102120004

Model :
 K 35/40 M

Pump data

MEI ≥

Pressure rating : 6 bar (600 kPa)

Min. fluid temperature : 14 °F

Max. fluid temperature : 122 °F

Max. Ambient temperature : 104 °F

Requested data

Flow : 0/00 US g.p.m.

Head : 0/00 m

Fluid : Water, pure

Fluid Temperature : 68 °F

Density : 62/322 lb/ft³

Kinematic viscosity : 1/0818E-5 ft²/s

Vapor pressure : 2/34 kPa

Hydraulic data (duty point)

Flow :

Head :

NPSH :

Shaft power P2 :

Efficiency :

Materials

Pump body : Cast iron 200 UNI ISO 185

Support : Cast iron 200 UNI ISO 185

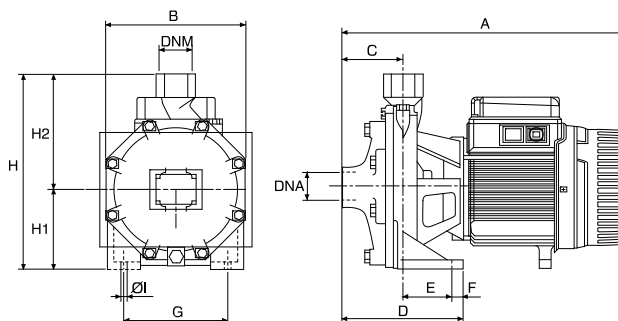
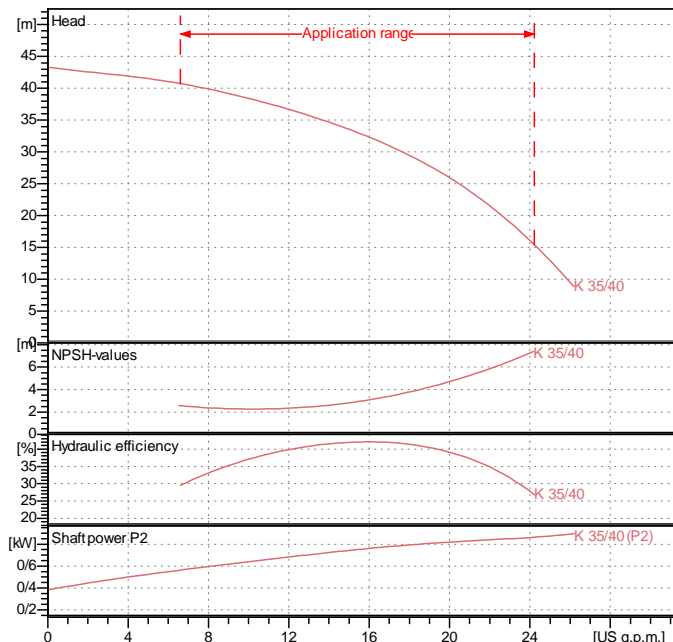
Impeller : Technopolymer A

Mechanical seal : Carbon/Ceramic

OR ring : NBR Rubber

Shaft with rotor : AISI 416 X12 CrS 13 UNI 6900/71

Intermediate cover : Cast iron 200 UNI ISO 185

Curve tolerance according to ISO 9906

Weight : 15/9 kg

Motor data

Motor brand : DAB

Nominal power P2 : 0/75 kW

Rated speed : 2800 rpm

Rated voltage : 1- 220-240 V 50 Hz

Nominal current : 5/5 A

Degree of protection : IP 44

Dimensions in mm

| | | | |
|-----|------|----|-----|
| A | 362 | I? | 9/5 |
| B | 180 | | |
| C | 76 | | |
| D | 148 | | |
| DNA | 1" G | | |
| DNM | 1" G | | |
| E | 72 | | |
| F | 15 | | |
| G | 148 | | |
| H | 235 | | |
| H1 | 100 | | |
| H2 | 135 | | |

Pump connection

Suction side : 1" G / 6 bar (600 kPa)

Discharge side : 1" G / 6 bar (600 kPa)