

Receiver
From

 Society
 Reference
 Address
 Phone
 Fax
 E-mail

Item n° :

102121002

Model :

K 35/100 M

Pump data
MEI ≥

Pressure rating : 6 bar (600 kPa)

Min. fluid temperature : 14 °F

Max. fluid temperature : 122 °F

Max. Ambient temperature : 104 °F

Requested data

Flow : 0/00 US g.p.m.

Head : 0/00 m

Fluid : Water, pure

Fluid Temperature : 68 °F

 Density : 62/322 lb/ft³

 Kinematic viscosity : 1/0818E-5 ft²/s

Vapor pressure : 2/34 kPa

Hydraulic data (duty point)

Flow :

Head :

NPSH :

Shaft power P2 :

Efficiency :

Materials

Pump body : Cast iron 200 UNI ISO 185

Support : Cast iron 200 UNI ISO 185

Impeller : Technopolymer A

Mechanical seal : Carbon/Ceramic

OR ring : NBR Rubber

Shaft with rotor : AISI 303 X10 CrNiS 1809 UNI 6900/71

Intermediate cover : Cast iron 200 UNI ISO 185

Motor data

Motor brand : DAB

Nominal power P2 : 1/1 kW

Rated speed : 2780 rpm

Rated voltage : 1- 220-240 V 50 Hz

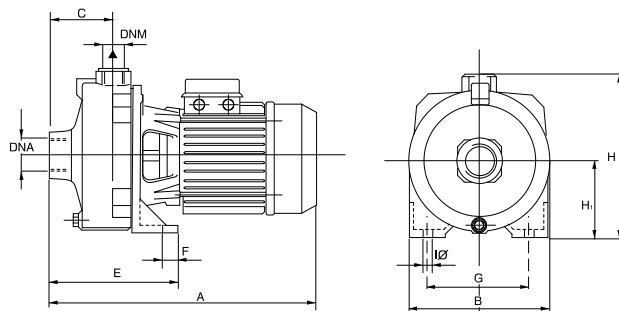
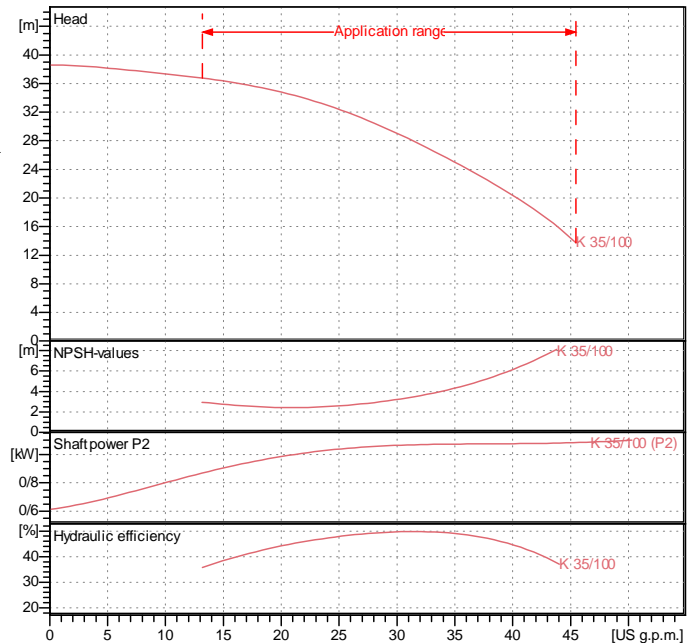
Nominal current : 7/1 A

Degree of protection : IP 44

Pump connection

Suction side : 1 " 1/2 G/ 6 bar (600 kPa)

Discharge side : 1 " G / 6 bar (600 kPa)

Curve tolerance according to ISO 9906

Weight : 22 kg

Dimensions in mm

A	387
B	205
C	88
DNA	1" 1/2 G
DNM	1" G
E	169
F	20
G	145
H	233
H1	108
I?	11