

**Receiver**
**From**

 Society  
 Reference  
 Address  
 Phone  
 Fax  
 E-mail

**Item n° :**  
 60179407

**Model :**

K 30/70 T IE3

**Pump data**

MEI ≥ -

Pressure rating : 6 bar (600 kPa)

Min. fluid temperature : 14 °F

Max. fluid temperature : 122 °F

Max. Ambient temperature : 104 °F

**Requested data**

Flow : 0/00 US g.p.m.

Head : 0/00 m

Fluid : Water, pure

Fluid Temperature : 68 °F

Density : 62/322 lb/ft³

Kinematic viscosity : 1/0818E-5 ft²/s

Vapor pressure : 2/34 kPa

**Hydraulic data (duty point)**

Flow :

Head :

NPSH :

Shaft power P2 :

Efficiency :

**Materials**

Pump body Cast iron 200 UNI ISO 185

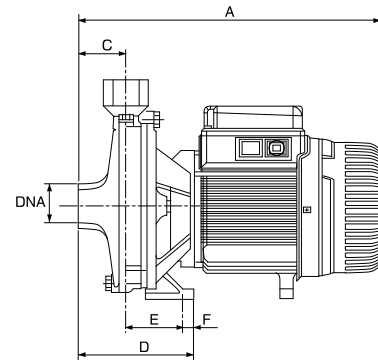
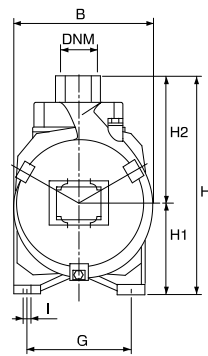
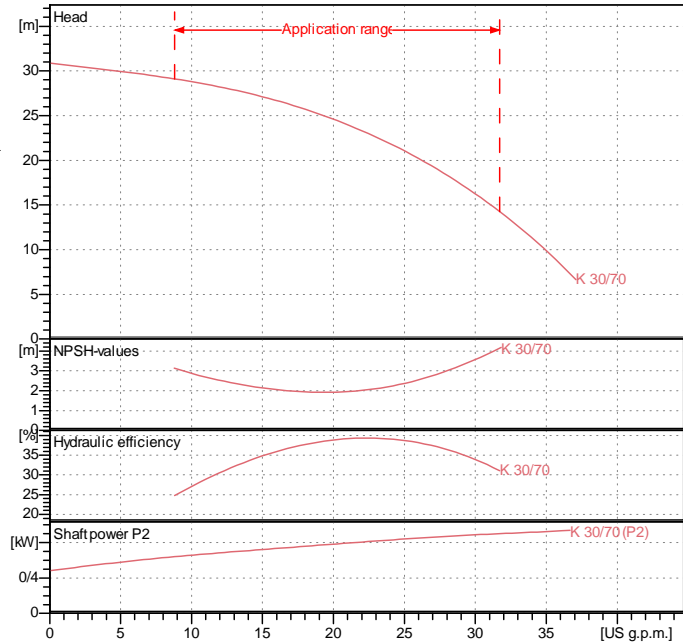
Support Cast iron 200 UNI ISO 185

Impeller Technopolymer A

Mechanical seal Carbon/Ceramic

OR ring NBR Rubber

Shaft with rotor AISI 416 X12 CrS 13 UNI 6900/71

**Curve tolerance according to ISO 9906**

**Weight :** 13/9 kg

**Motor data**

Motor brand : DAB

Nominal power P2 : 0/75 kW

Rated speed : 2820 rpm

Rated voltage : 3- 230 V / 400 V 50 Hz

Nominal current : 4/3 / 2/5 A

Degree of protection : IP 44

**Dimensions in mm**

A	330	I	9
B	185		
C	50		
D	108		
DNA	1" G-M		
DNM	1" G-M		
E	58		
F	15		
G	140		
H	235		
H1	100		
H2	135		

**Pump connection**

Suction side : 1 " G-M / 6 bar (600 kPa)

Discharge side : 1 " G-M / 6 bar (600 kPa)