

Receiver
From

 Society
 Reference
 Address
 Phone
 Fax
 E-mail

Item n° :
 102110024

Model :
 K 30/70 M

Pump data

 MEI ≥ -
 Pressure rating : 6 bar (600 kPa)
 Min. fluid temperature : 14 °F
 Max. fluid temperature : 122 °F
 Max. Ambient temperature : 104 °F

Requested data

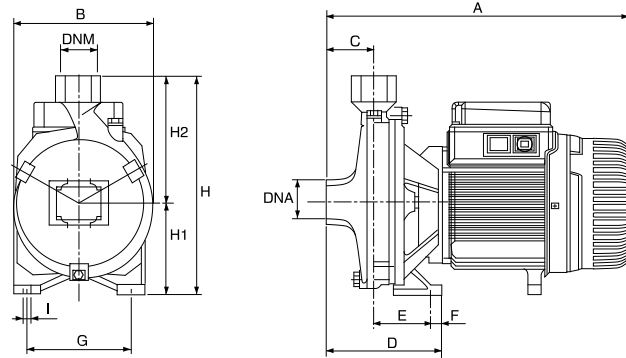
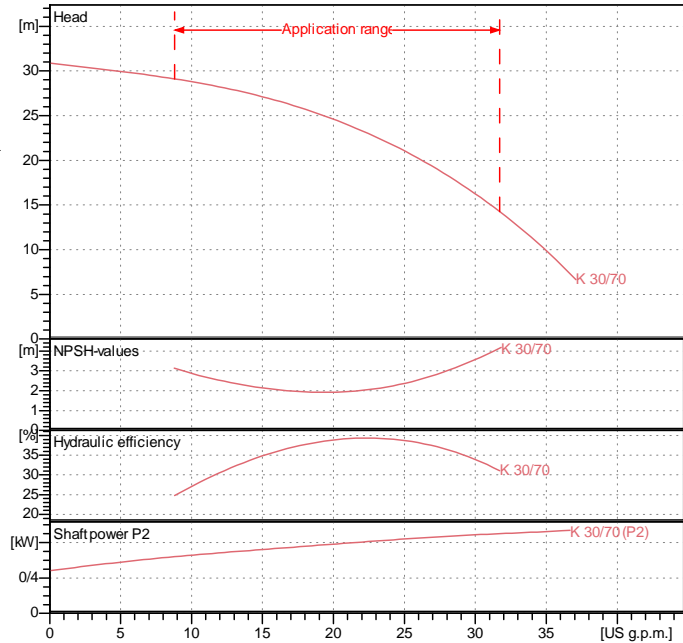
 Flow : 0/00 US g.p.m.
 Head : 0/00 m
 Fluid : Water, pure
 Fluid Temperature : 68 °F
 Density : 62/322 lb/ft³
 Kinematic viscosity : 1/0818E-5 ft²/s
 Vapor pressure : 2/34 kPa

Hydraulic data (duty point)

 Flow :
 Head :
 NPSH :
 Shaft power P2 :
 Efficiency :

Materials

 Pump body : Cast iron 200 UNI ISO 185
 Support : Cast iron 200 UNI ISO 185
 Impeller : Technopolymer A
 Mechanical seal : Carbon/Ceramic
 OR ring : NBR Rubber
 Shaft with rotor : AISI 416 X12 CrS 13 UNI 6900/71

Curve tolerance according to ISO 9906

Weight : 13/9 kg

Motor data

 Motor brand : DAB
 Nominal power P2 : 0/75 kW
 Rated speed : 2800 rpm
 Rated voltage : 1- 220-240 V 50 Hz
 Nominal current : 6 A
 Degree of protection : IP 44

Dimensions in mm

A	330	I	9
B	185		
C	50		
D	108		
DNA	1" G-M		
DNM	1" G-M		
E	58		
F	15		
G	140		
H	235		
H1	100		
H2	135		

Pump connection

 Suction side : 1 " G-M / 6 bar (600 kPa)
 Discharge side : 1 " G-M / 6 bar (600 kPa)