

Receiver
From

 Society
 Reference
 Address
 Phone
 Fax
 E-mail

Item n° :
 102110042

Model :
 K 30/100 M

Pump data

 MEI \geq 0,70
 Pressure rating : 6 bar (600 kPa)
 Min. fluid temperature : 14 °F
 Max. fluid temperature : 122 °F
 Max. Ambient temperature : 104 °F

Requested data

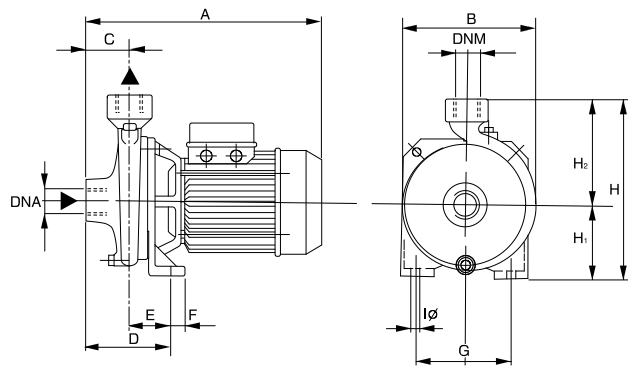
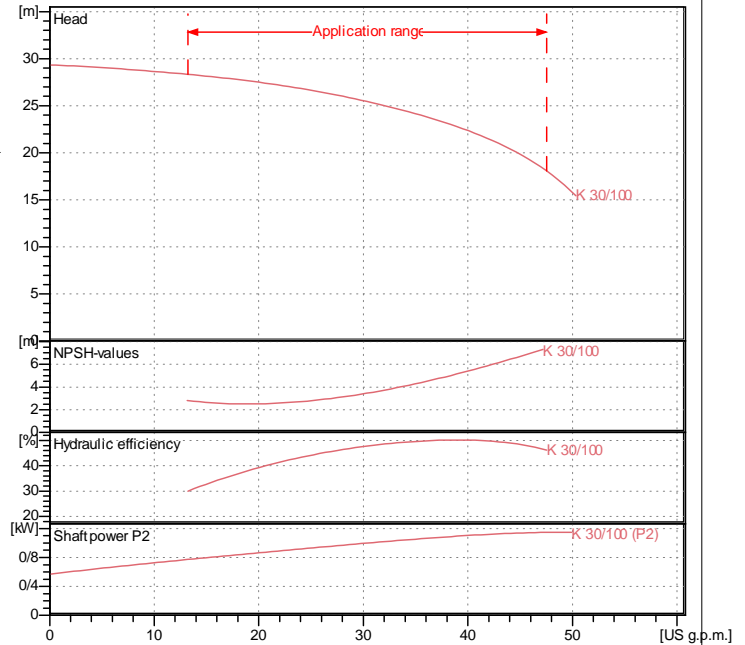
 Flow : 0/00 US g.p.m.
 Head : 0/00 m
 Fluid : Water, pure
 Fluid Temperature : 68 °F
 Density : 62/322 lb/ft³
 Kinematic viscosity : 1/0818E-5 ft²/s
 Vapor pressure : 2/34 kPa

Hydraulic data (duty point)

 Flow :
 Head :
 NPSH :
 Shaft power P2 :
 Efficiency :

Materials

 Pump body : Cast iron 200 UNI ISO 185
 Support : Cast iron 200 UNI ISO 185
 Impeller : Technopolymer A
 Mechanical seal : Carbon/Ceramic
 OR ring : NBR Rubber
 Shaft with rotor : AISI 303 X10 CrNiS 1809 UNI 6900/71

Curve tolerance according to ISO 9906

Weight : 18/5 kg

Motor data

 Motor brand : DAB
 Nominal power P2 : 1/1 kW
 Rated speed : 2800 rpm
 Rated voltage : 1- 220-240 V 50 Hz
 Nominal current : 7/1 A
 Degree of protection : IP 44

Dimensions in mm

A	333	I?	9
B	200		
C	50		
D	114		
DNA	1" 1/2 G		
DNM	1" G		
E	64		
F	15		
G	140		
H	255		
H1	105		
H2	150		

Pump connection

 Suction side : 1 " 1/2 G/ 6 bar (600 kPa)
 Discharge side : 1 " G / 6 bar (600 kPa)