

**Receiver**
**From**

 Society  
 Reference  
 Address  
 Phone  
 Fax  
 E-mail

**Item n° :**

60179882

**Model :**

K 28/500 T IE3

**Pump data**

 MEI  $\geq$  0,70

Pressure rating : 8 bar (800 kPa)

Min. fluid temperature : 5 °F

Max. fluid temperature : 230 °F

Max. Ambient temperature : 104 °F

**Requested data**

Flow : 0/00 US g.p.m.

Head : 0/00 m

Fluid : Water, pure

Fluid Temperature : 68 °F

 Density : 62/322 lb/ft<sup>3</sup>

 Kinematic viscosity : 1/0818E-5 ft<sup>2</sup>/s

Vapor pressure : 2/34 kPa

**Hydraulic data (duty point)**

Flow :

Head :

NPSH :

Shaft power P2 :

Efficiency :

**Materials**

Pump body Cast iron 200 UNI ISO 185

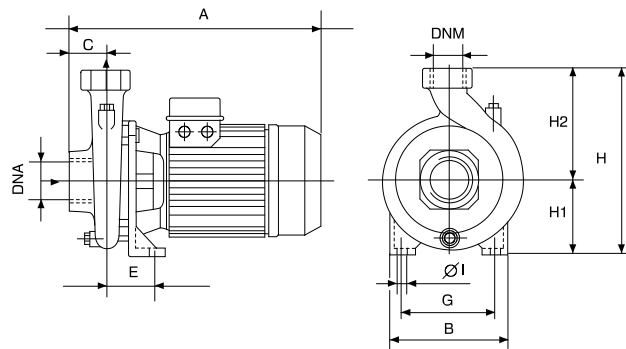
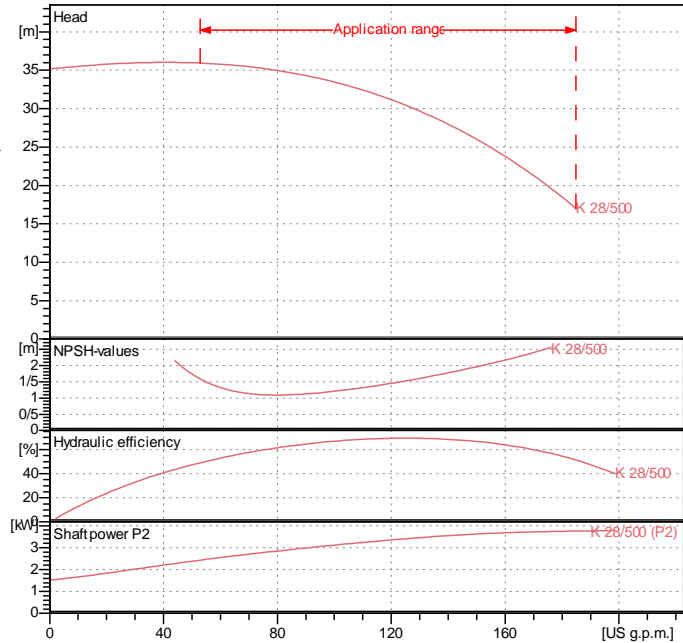
Support Cast iron 200 UNI ISO 185

Impeller Cast iron 200 UNI ISO 185

Mechanical seal Carbon/Ceramic

OR ring EPDM Rubber

Shaft with rotor AISI 303 X10 CrNiS 1809 UNI 6900/71

**Curve tolerance according to ISO 9906**

**Weight :** 40/6 kg

**Motor data**

Motor brand : DAB

Nominal power P2 : 4 kW

Rated speed : 2880 rpm

Rated voltage : 3~ 230 V / 400 V 50 Hz

Nominal current : 14/7 / 8/5 A

Degree of protection : IP 55

**Dimensions in mm**

A	440
B	240
C	62
DNA	2" 1/2 G
DNM	2" G
E	100
G	155
H	312
H1	132
H2	180
I?	14

**Pump connection**

Suction side : 2 " 1/2 G/ 8 bar (800 kPa)

Discharge side : 2 " G / 8 bar (800 kPa)