

### Receiver

### From

Society  
 Reference  
 Address  
 Phone  
 Fax  
 E-mail

**Item n° :**  
 102110014

**Model :**  
 K 20/41 T

#### Pump data

**MEI ≥ -**  
 Pressure rating : 6 bar (600 kPa)  
 Min. fluid temperature : 14 °F  
 Max. fluid temperature : 122 °F  
 Max. Ambient temperature : 104 °F

#### Requested data

Flow : 0/00 US g.p.m.  
 Head : 0/00 m  
 Fluid : Water, pure  
 Fluid Temperature : 68 °F  
 Density : 62/322 lb/ft³  
 Kinematic viscosity : 1/0818E-5 ft²/s  
 Vapor pressure : 2/34 kPa

#### Hydraulic data (duty point)

Flow :  
 Head :  
 NPSH :  
 Shaft power P2 :  
 Efficiency :

#### Materials

Pump body : Cast iron 200 UNI ISO 185  
 Support : Cast iron 200 UNI ISO 185  
 Impeller : Technopolymer A  
 Mechanical seal : Carbon/Ceramic  
 OR ring : NBR Rubber  
 Shaft with rotor : AISI 416 X12 CrS 13 UNI 6900/71

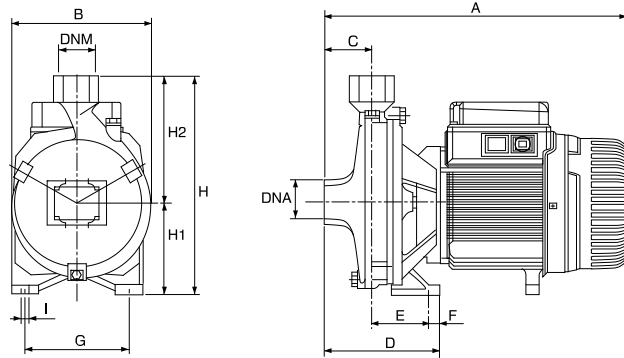
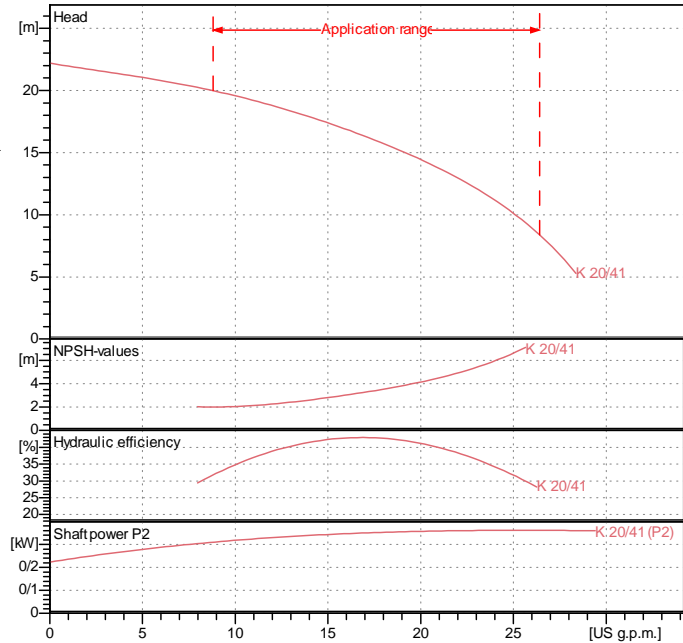
#### Motor data

Motor brand : DAB  
 Nominal power P2 : 0/37 kW  
 Rated speed : 2800 rpm  
 Rated voltage : 3- 230 V / 400 V 50 Hz  
 Nominal current : 2/3 / 1/3 A  
 Degree of protection : IP 44

#### Pump connection

Suction side : 1 " G-M / 6 bar (600 kPa)  
 Discharge side : 1 " G-M / 6 bar (600 kPa)

#### Curve tolerance according to ISO 9906



**Weight :** 10 kg

#### Dimensions in mm

A	275	I	9
B	160		
C	50		
D	100		
DNA	1" G-M		
DNM	1" G-M		
E	50		
F	15		
G	110		
H	205		
H1	85		
H2	120		