

Receiver
From

 Society
 Reference
 Address
 Phone
 Fax
 E-mail

Item n° :

60167626

Model :

K 20/1200 T IE3

Pump data

 MEI \geq 0,60

Pressure rating : 10 bar (1000 KPa)

Min. fluid temperature : 5 °F

Max. fluid temperature : 230 °F

Max. Ambient temperature : 104 °F

Requested data

Flow : 0/00 US g.p.m.

Head : 0/00 m

Fluid : Water, pure

Fluid Temperature : 68 °F

 Density : 62/322 lb/ft³

 Kinematic viscosity : 1/0818E-5 ft²/s

Vapor pressure : 2/34 kPa

Hydraulic data (duty point)

Flow :

Head :

NPSH :

Shaft power P2 :

Efficiency :

Materials

Pump body Cast iron 200 UNI ISO 185

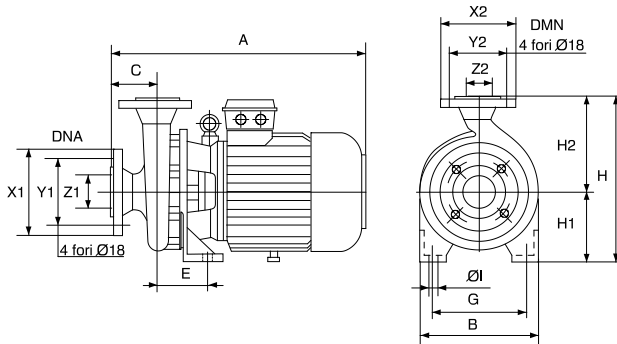
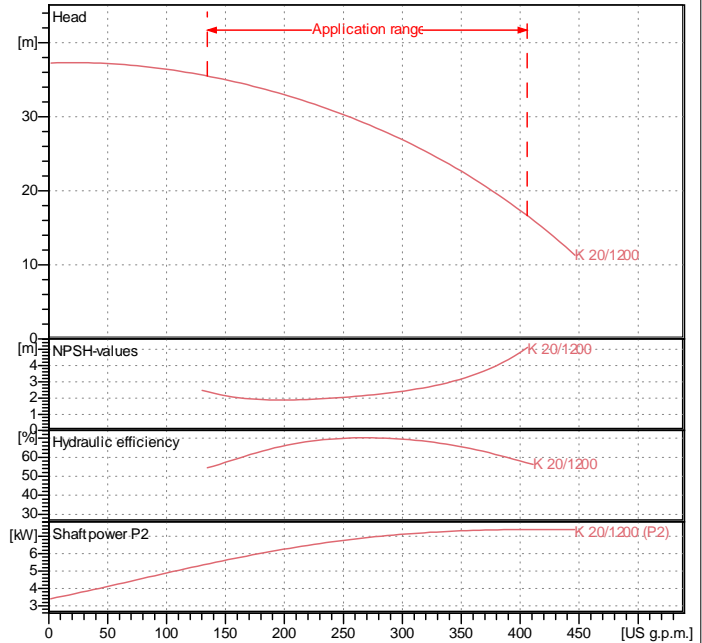
Support Cast iron 200 UNI ISO 185

Impeller Cast iron 200 UNI ISO 185

Mechanical seal Carbon/Ceramic

OR ring EPDM Rubber

Shaft with rotor AISI 304 X5 Cr Ni 1810 UNI 6900/71

Curve tolerance according to ISO 9906

Weight : 88 kg

Motor data

Motor brand : DAB

Nominal power P2 : 7/5 kW

Rated speed : 2900 rpm

Rated voltage : 3~ 400 V 50 Hz

Nominal current : 15/4 A

Degree of protection : IP 55

Dimensions in mm

A	600	Y2	145
B	273	Z1	80
C	100	Z2	65
E	110		
G	212		
H	385		
H1	160		
H2	225		
I?	14		
X1	200		
X2	185		
Y1	160		

Pump connection

Suction side : DN 80 / 10 bar (1000 KPa)

Discharge side : DN 65 / 10 bar (1000 KPa)