

Receiver
From

 Society
 Reference
 Address
 Phone
 Fax
 E-mail

Item n° :

102130402

Model :

K 14/400 M

Pump data

 MEI \geq 0,40

Pressure rating : 6 bar (600 kPa)

Min. fluid temperature : 5 °F

Max. fluid temperature : 230 °F

Max. Ambient temperature : 104 °F

Requested data

Flow : 0/00 US g.p.m.

Head : 0/00 m

Fluid : Water, pure

Fluid Temperature : 68 °F

 Density : 62/322 lb/ft³

 Kinematic viscosity : 1/0818E-5 ft²/s

Vapor pressure : 2/34 kPa

Hydraulic data (duty point)

Flow :

Head :

NPSH :

Shaft power P2 :

Efficiency :

Materials

Pump body Cast iron 200 UNI ISO 185

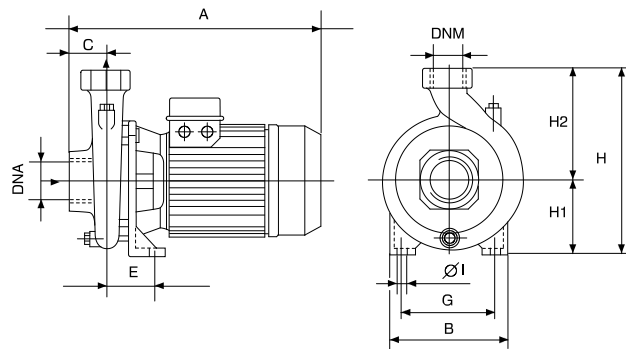
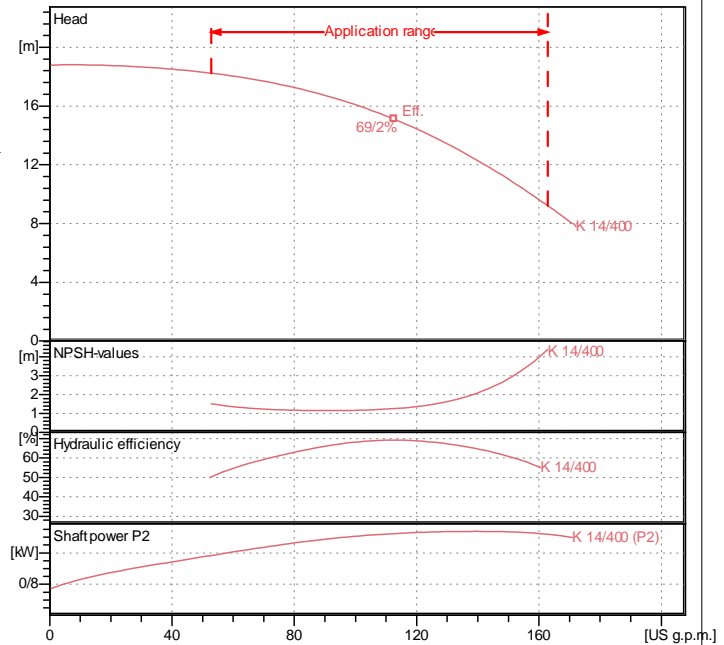
Support Cast iron 200 UNI ISO 185

Impeller Cast iron 200 UNI ISO 185

Mechanical seal Carbon/Ceramic

OR ring EPDM Rubber

Shaft with rotor AISI 303 X10 CrNiS 1809 UNI 6900/71

Curve tolerance according to ISO 9906

Weight : 24/5 kg

Motor data

Motor brand : DAB

Nominal power P2 : 1/85 kW

Rated speed : 2850 rpm

Rated voltage : 1- 220-240 V 50 Hz

Nominal current : 9/5 A

Degree of protection : IP 44

Dimensions in mm

| | |
|-----|------|
| A | 430 |
| B | 200 |
| C | 62 |
| DNA | 2" G |
| DNM | 2" G |
| E | 74 |
| G | 120 |
| H | 270 |
| H1 | 105 |
| H2 | 165 |
| I? | 11 |

Pump connection

Suction side : 2 " G / 6 bar (600 kPa)

Discharge side : 2 " G / 6 bar (600 kPa)