

Receiver
From

 Society
 Reference
 Address
 Phone
 Fax
 E-mail

Item n° :

60179406

Model :

K 12/200 T IE3

Pump data

 MEI \geq 0,70

Pressure rating : 6 bar (600 kPa)

Min. fluid temperature : 14 °F

Max. fluid temperature : 122 °F

Max. Ambient temperature : 104 °F

Requested data

Flow : 0/00 US g.p.m.

Head : 0/00 m

Fluid : Water, pure

Fluid Temperature : 68 °F

 Density : 62/322 lb/ft³

 Kinematic viscosity : 1/0818E-5 ft²/s

Vapor pressure : 2/34 kPa

Hydraulic data (duty point)

Flow :

Head :

NPSH :

Shaft power P2 :

Efficiency :

Materials

Pump body Cast iron 200 UNI ISO 185

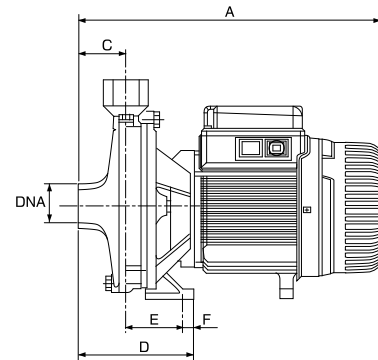
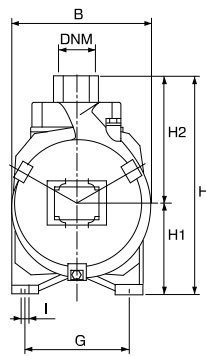
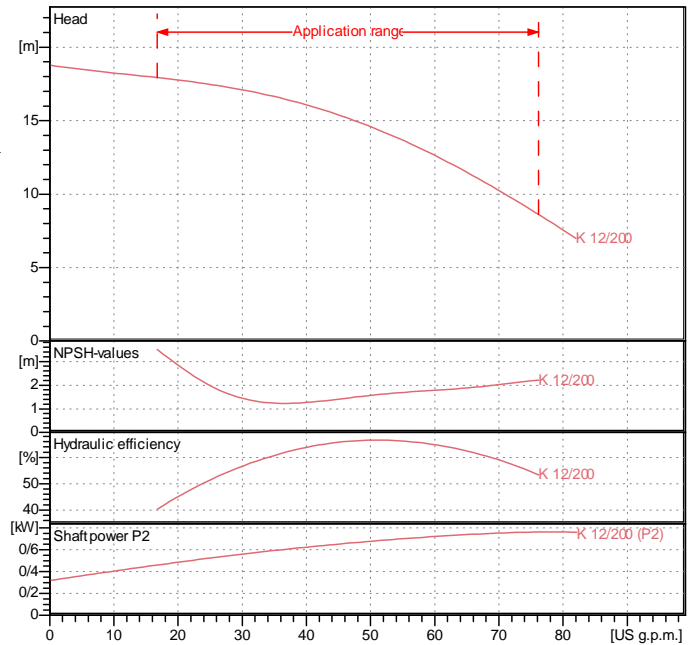
Support Cast iron 200 UNI ISO 185

Impeller Technopolymer A

Mechanical seal Carbon/Ceramic

OR ring NBR Rubber

Shaft with rotor AISI 416 X12 CrS 13 UNI 6900/71

Curve tolerance according to ISO 9906

Weight : 13/7 kg

Motor data

Motor brand : DAB

Nominal power P2 : 0/75 kW

Rated speed : 2860 rpm

Rated voltage : 3~ 230 V / 400 V 50 Hz

Nominal current : 3/6 / 2/1 A

Degree of protection : IP 44

Dimensions in mm

A	325	I	9/5
B	173		
C	45		
D	118		
DNA	1" 1/2 G-M		
DNM	1" 1/2 G-M		
E	58		
F	15		
G	110		
H	218		
H1	85		
H2	125		

Pump connection

Suction side : 1 " 1/2 G/M6 bar (600 kPa)

Discharge side : 1 " 1/2 G/M6 bar (600 kPa)