

Receiver

From

Society
 Reference
 Address
 Phone
 Fax
 E-mail

Item n° :
 60168869

Model :
 K 11/500 M

Pump data

MEI \geq 0,70

Pressure rating : 8 bar (800 kPa)

Min. fluid temperature : 5 °F

Max. fluid temperature : 230 °F

Max. Ambient temperature : 104 °F

Requested data

Flow : 0/00 US g.p.m.

Head : 0/00 m

Fluid : Water, pure

Fluid Temperature : 68 °F

Density : 62/322 lb/ft³

Kinematic viscosity : 1/0818E-5 ft²/s

Vapor pressure : 2/34 kPa

Hydraulic data (duty point)

Flow :

Head :

NPSH :

Shaft power P2 :

Efficiency :

Materials

Pump body Cast iron 200 UNI ISO 185

Support Cast iron 200 UNI ISO 185

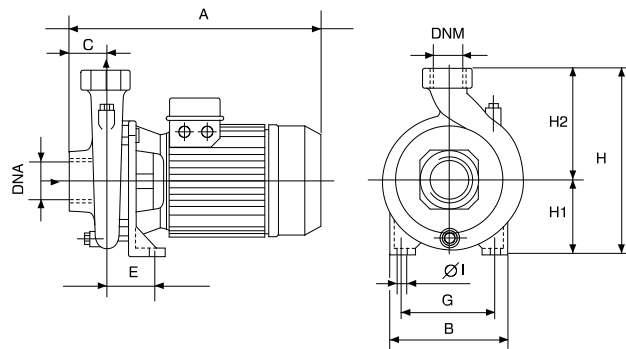
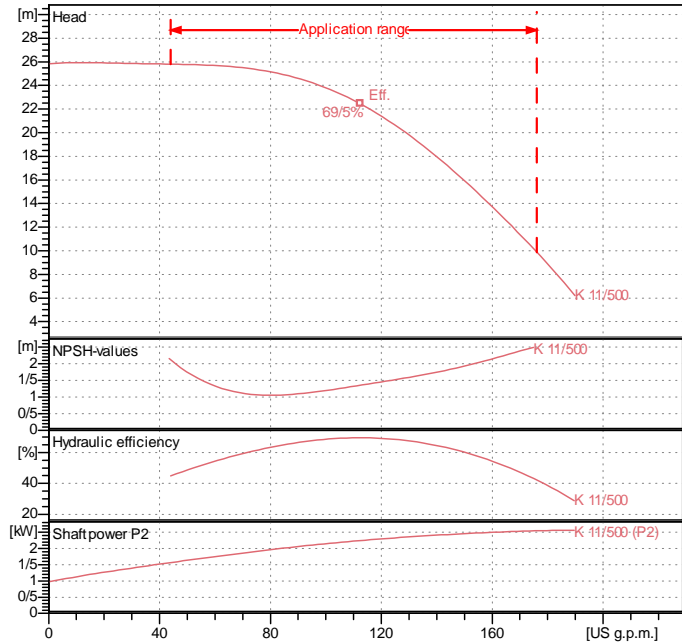
Impeller Cast iron 200 UNI ISO 185

Mechanical seal Carbon/Ceramic

OR ring EPDM Rubber

Shaft with rotor AISI 303 X10 CrNiS 1809 UNI 6900/71

Curve tolerance according to ISO 9906



Weight : 34/2 kg

Motor data

Motor brand : DAB

Nominal power P2 : 2/2 kW

Rated speed : 2900 rpm

Rated voltage : 1- 230 V 50 Hz

Nominal current : 14/9 A

Degree of protection : IP 55

Dimensions in mm

A	440
B	240
C	62
DNA	2" 1/2 G
DNM	2" G
E	100
G	155
H	312
H1	132
H2	180
I?	14

Pump connection

Suction side : 2 " 1/2 G/ 8 bar (800 kPa)

Discharge side : 2 " G / 8 bar (800 kPa)