

Receiver

From

Society
Reference
Address
Phone
Fax
E-mail

Item n° :

60189196

Model :

NKV 15/6 S T E1 IE3

Pump data

MEI ≥ 0,70

Pressure rating : 362,6 psi

Min. fluid temperature : -30 °C

Max. fluid temperature : 120 °C

Max. Ambient temperature : 50 °C

Requested data

Flow :

Head :

Fluid (%) :

Fluid Temperature : 20 °C

Density : 998,3 kg/m³

Kinematic viscosity : 1,005 mm²/s

Vapor pressure : 0,34 psi

Real duty point

Flow :

Head :

NPSH :

Shaft power P2 :

Efficiency :

Materials

Pump body Stainless Steel AISI 304

External sleeve Stainless Steel AISI 304

Upper flange Stainless Steel AISI 304

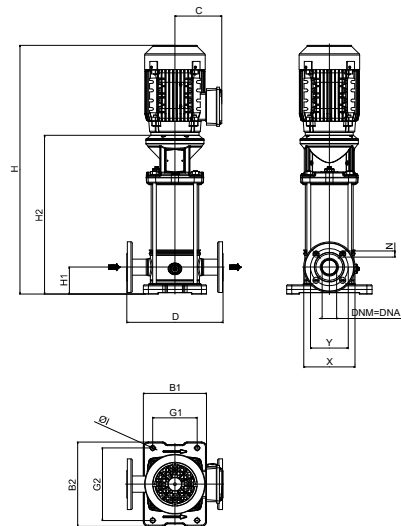
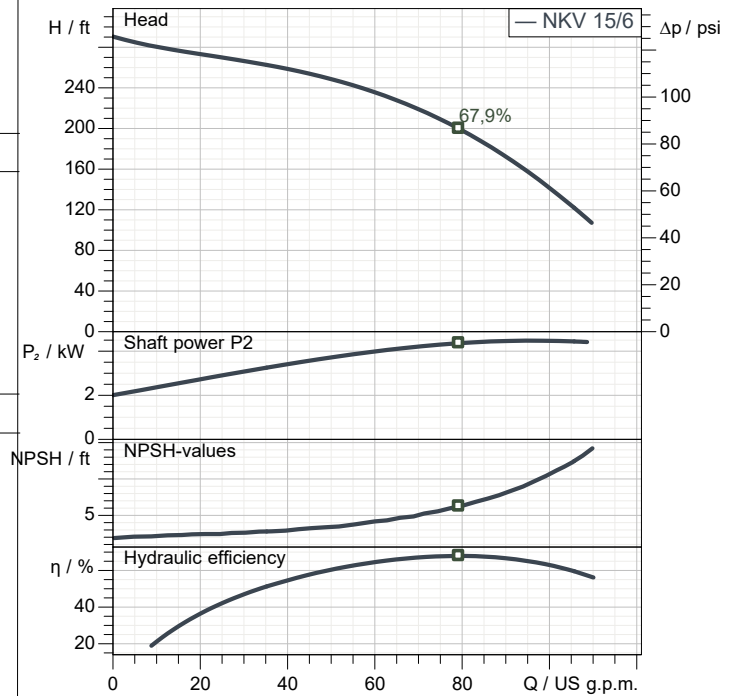
Diffuser body and diffuser Stainless Steel AISI 304

Pump shaft Stainless Steel AISI 304

Impeller Stainless Steel AISI 304

Mechanical seal SEE "SHAFT SEAL" SECTION

Curve tolerance according to ISO 9906



Shaft seal

Type AISI 316

Stationary part Carbon

Rotating part Silicon carbide

Elastomer EPDM

Weight :

81,1 kg

Dimensions in

mm

B1	185	H	1.128
B2	250	H1	90
C	160	H2	800
D	300	N	19
DNA	50	ØI	13
DNM	50	X	165
G1	130	Y	127
G2	215		

Motor data

Nominal power P2 : 5,5 kW

Rated speed : 2.895 1/min

Rated voltage : 3~ 400 V 50 Hz

Nominal current : 11,6 A

Degree of protection : IP 55

Pump connection

Suction side : DN 50 / 362,6 psi

Discharge side : DN 50 / 362,6 psi