

Receiver
From

Society
 Reference
 Address
 Phone
 Fax
 E-mail

Item n° :

60179865

Model :

KVC 85/120 T IE3

Pump data

 MEI \geq 0,50

Pressure rating : 12 bar (1200 KPa)

Min. fluid temperature : 32 °F

Max. fluid temperature : 104 °F

Max. Ambient temperature : 104 °F

Requested data

Flow : 0/00 US g.p.m.

Head : 0/00 m

Fluid : Water, pure

Fluid Temperature : 68 °F

 Density : 62/322 lb/ft³

 Kinematic viscosity : 1/0818E-5 ft²/s

Vapor pressure : 2/34 kPa

Hydraulic data (duty point)

Flow :

Head :

NPSH :

Shaft power P2 : 3/00 kW

Efficiency : - %

Materials

Impeller Technopoly mer B

Diff user Technopoly mer B

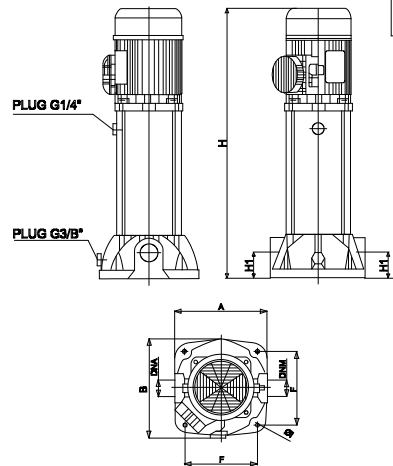
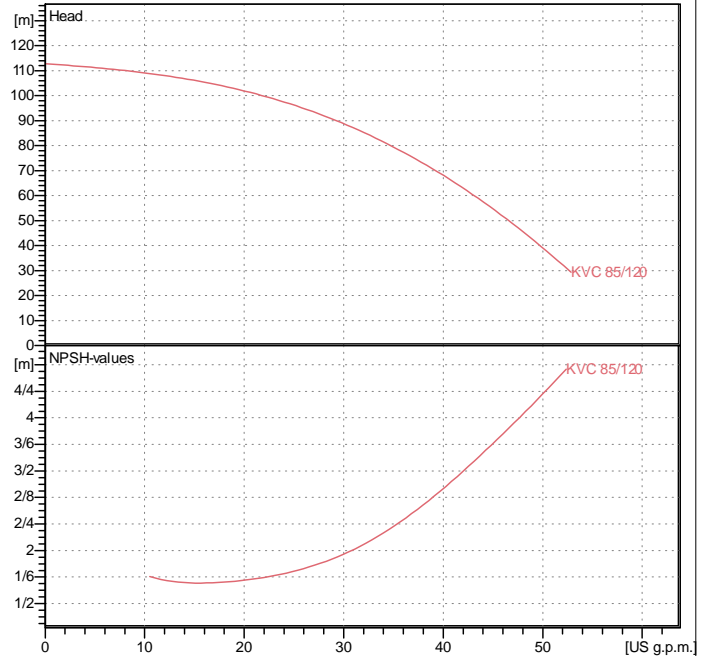
Shaft with rotor AISI 303 X10 CrNiS 1809 UNI 6900/71

External sleeve AISI 304 X5 Cr Ni 1810 UNI 6900/71

Seal disk AISI 304 X5 Cr Ni 1810 UNI 6900/71

Mechanical seal Silicon carbide/Carbon

OR ring EPDM Rubber

Curve tolerance according to ISO 9906

Weight : 25 kg

Motor data

Motor brand : DAB

Nominal power P2 : 3 kW

Rated speed : 2800 rpm

Rated voltage : 3~ 400 V / 230 V 50 Hz

Nominal current : 7/8 / 13/5 A

Degree of protection : IP 55

Dimensions in
mm

? I	9
A	221
B	235
DNA	1"1/4 G
DNM	1"1/4 G
F	170
H	702
H1	60

Pump connection

Suction side : 1 " 1/4 G 12 bar (1200 KPa)

Discharge side : 1 " 1/4 G 12 bar (1200 KPa)



PERFORMANCE CURVES

2022-02-10

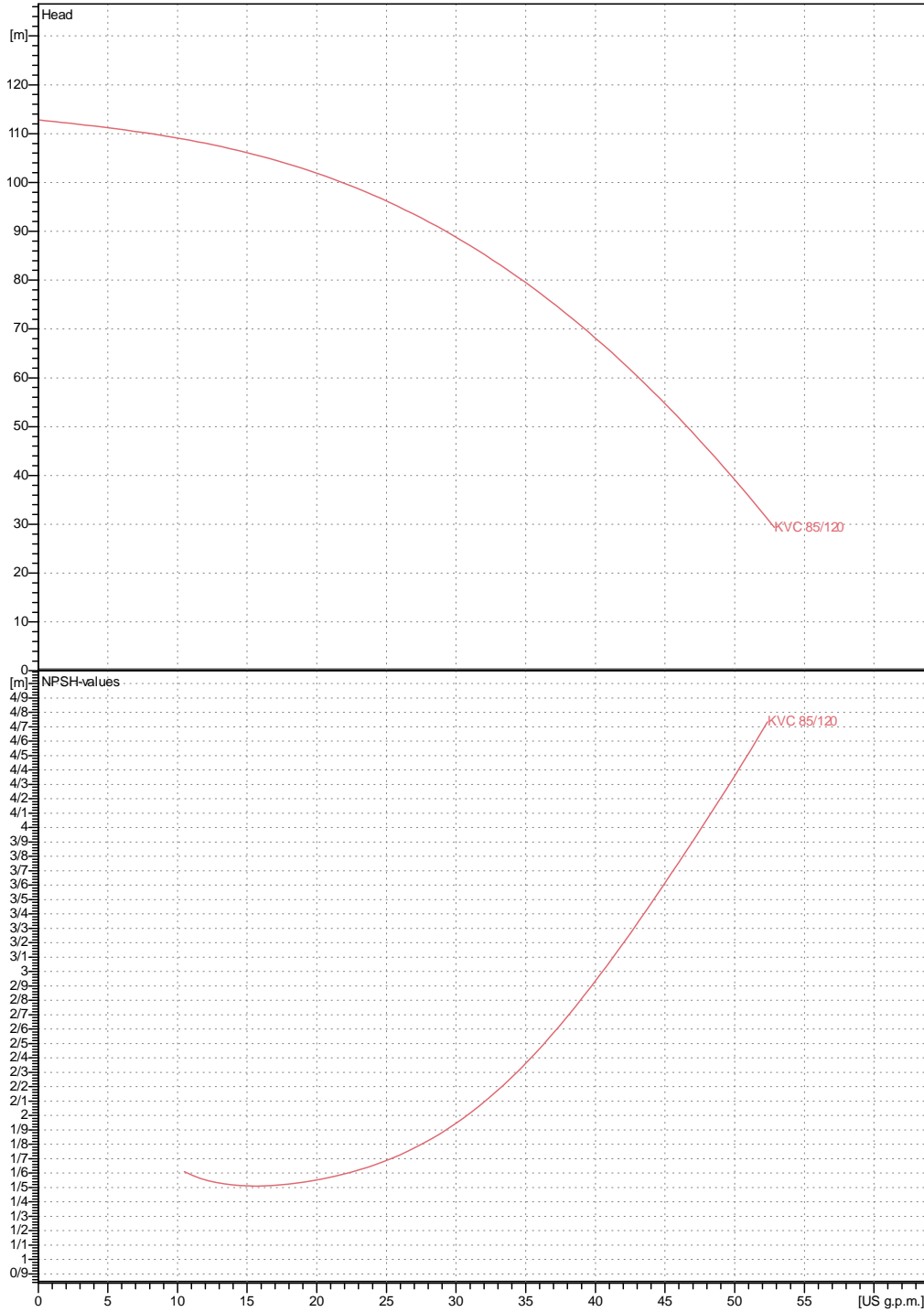
Page 2 / 3

DAB PUMPS S.p.A.
Via Marco Polo, 14 - 35035 Mestrino (PD), Italy
Tel. +39 049 5125000 - Fax +39 049 5125950
www.dabpumps.com

Society Reference Address Phone Fax E-mail	Receiver	From

KVC 85/120 TIE3

Curve tolerance according to ISO 9906



Hydraulic data (duty point)

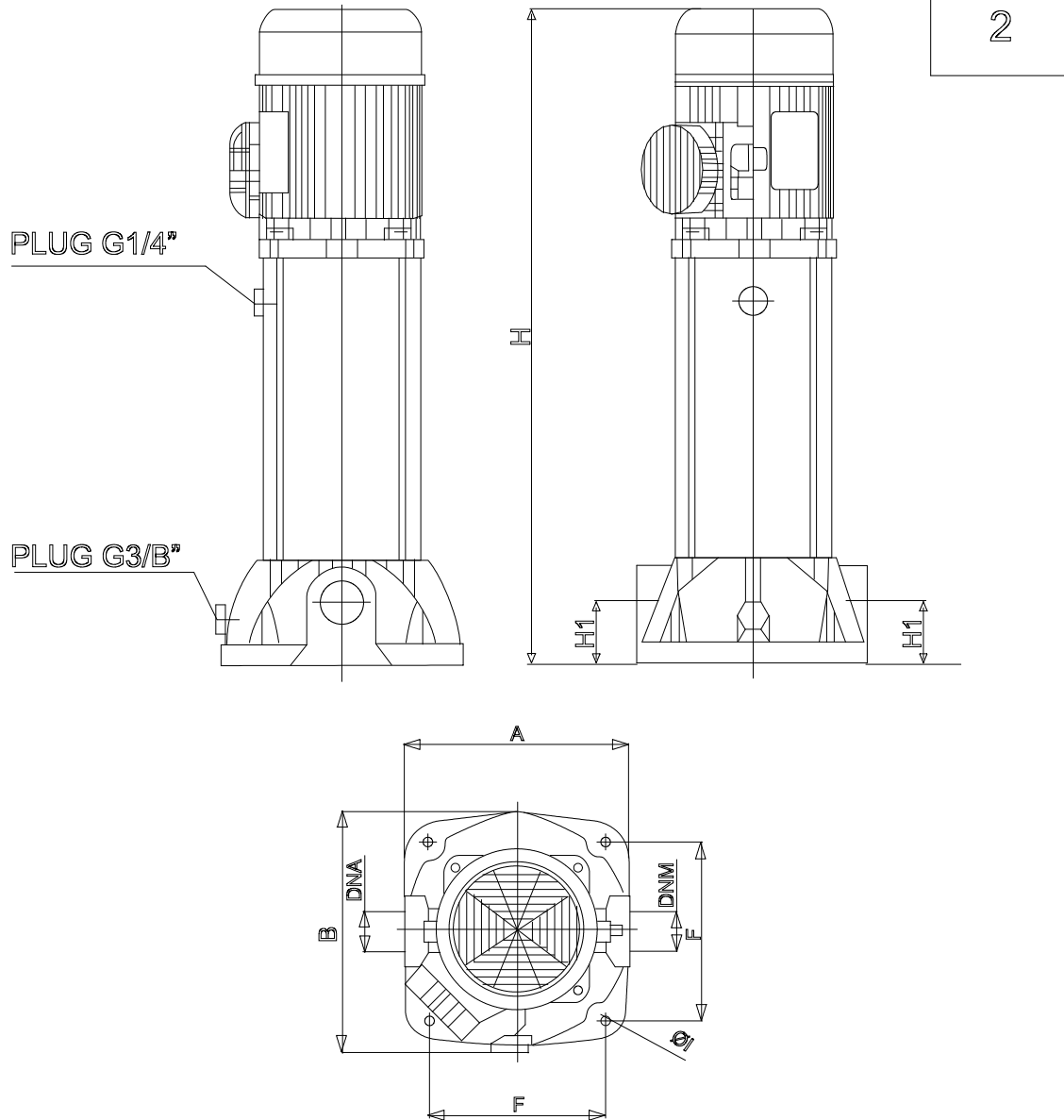
Suction side : 1 " 1/4 G 12 bar (1200 KPa)	Discharge side : 1 " 1/4 G 12 bar (1200 KPa)	Flow : 0 US g.p.m.	Head : 0 m	Rated speed : 2800 rpm
Project	Project ID	Created by	Created on 2022-02-10	

Receiver

From

Society
 Reference
 Address
 Phone
 Fax
 E-mail

KVC 85/120 T IE3



2

Dimensions in mm

1	? I	9			
2	A	221			
3	B	235			
4	DNA	1"1/4 G			
5	DNM	1"1/4 G			
6	F	170			
7	H	702			
8	H1	60			

Pump connection

Suction
 1 " 1/4 G
 12 bar (1200 KPa)

Discharge
 1 " 1/4 G
 12 bar (1200 KPa)

Project

Project ID

Created by

Created on

2022-02-10